

**Model G-P1
(G104/G105)**

PARTS CATALOG

First edition, October 2004

Ricoh Company, LTD.

Model G-P1 (G104/G105)

PARTS CATALOG

This catalog gives the numbers and names of parts on this machine.

Model G-P1	(G104/G105)
Paper Feed Unit Type 4000	(G392)

Model G-P1 (G104/G105)

Model G-P1 (G104/G105)

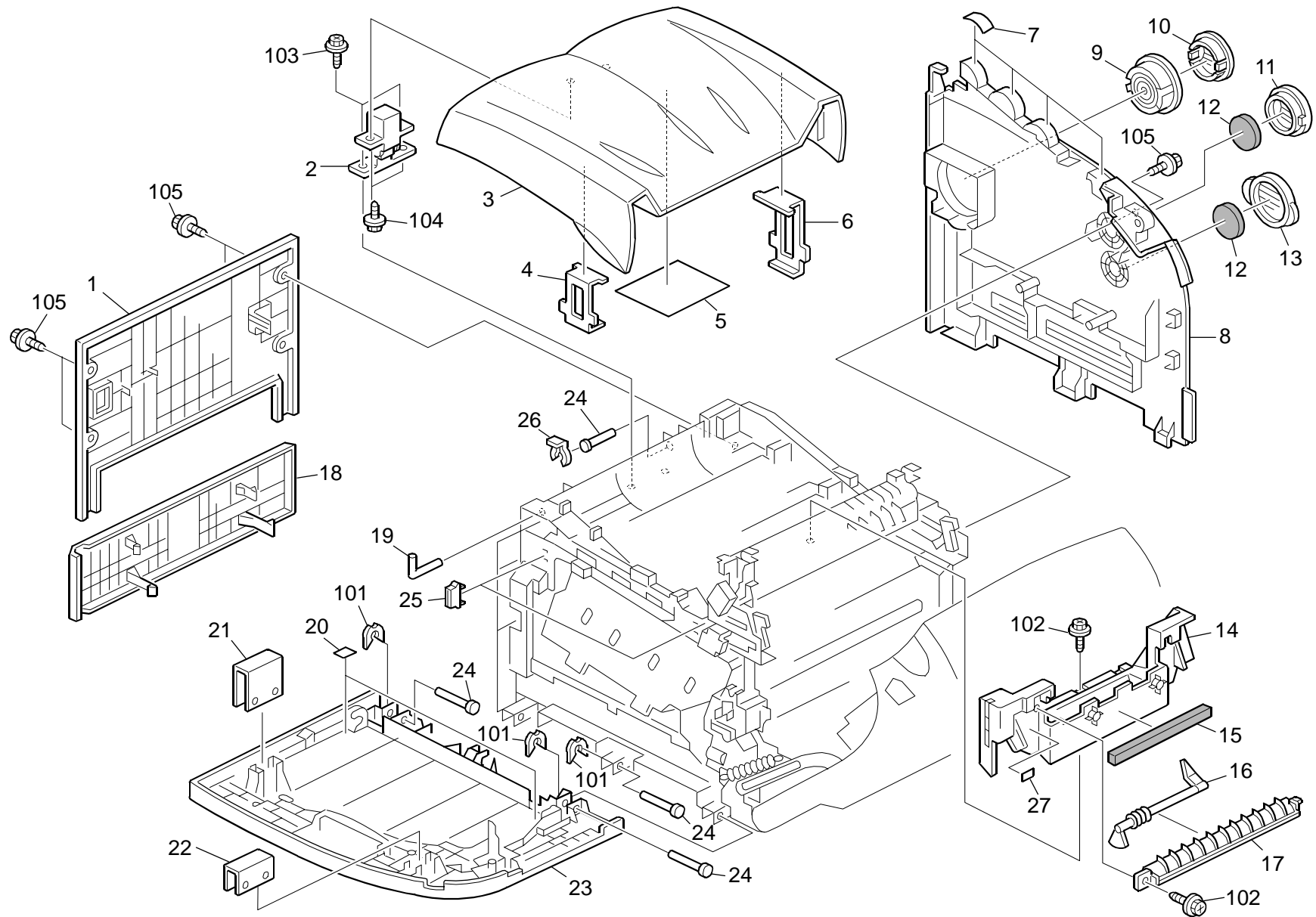
PARTS CATALOG

This catalog gives the numbers and names of parts on this machine.

1.Exterior (G104/G105).....	2	19.Frame And Electrical Section 2 (G104/G105) ...	38
2.BY-Pass Feed Section (G104/G105)	4	20.Frame And Electrical Section 3 (G104/G105) ...	40
3.Paper Cassetto (G104/G105)	6	21.Decals And Documents (G104/G105).....	42
4.Paper Regist Section (G104/G105)	8	22.Special Tools (G104/G105)	46
5.Paper Transfer Section 1 (G104/G105)	10	Parts Index	49
6.Paper Transfer Section 2 (G104/G105)	12		
7.Paper Transfer Section 3 (G104/G105)	14		
8.Optics Section (G104/G105)	16		
9.Supply Unit (G104/G105)	18		
10.Developer Section 1 (G104/G105).....	20		
11.Developer Section 2 (G104/G105).....	22		
12.Fusing Unit (G104/G105)	24		
13.Fusing Section (G104/G105)	26		
14.Paper Exit Section (G104/G105).....	28		
15.Drive Section 1 (G104/G105).....	30		
16.Drive Section 2 (G104/G105)	32		
17.Drive Section 3 (G104/G105).....	34		
18.Frame And Electrical Section 1 (G104/G105)....	36		

October ,10 ' 2004

1.Exterior (G104/G105)

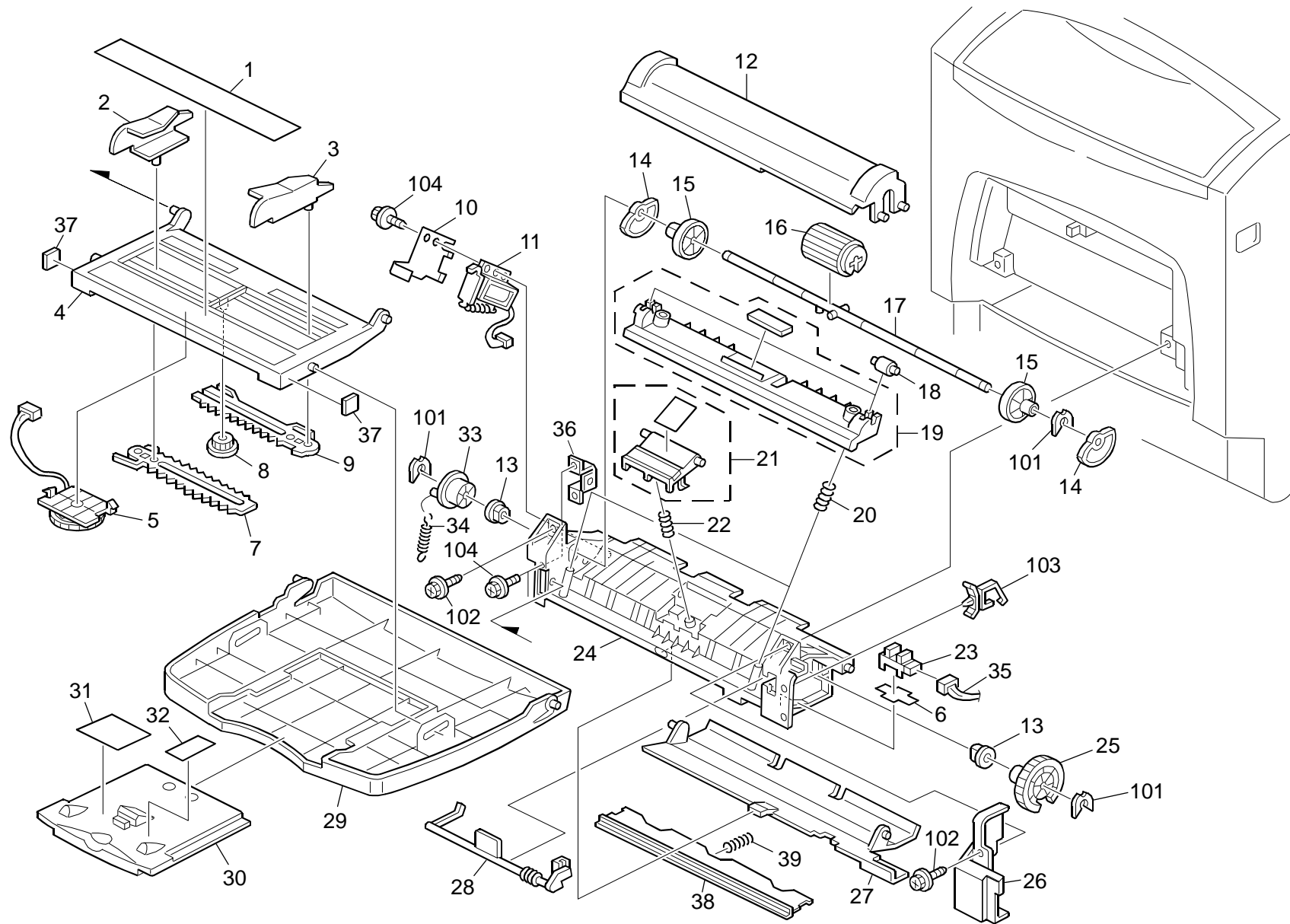


1.Exterior (G104/G105)

Index No.	Part No.	Description	Q'ty Per Assembly
1	G102 5801	Cover:Bracket:Power Supply Unit	1
2	GG06 0000	Hinge:Exit:Ass'y	1
3	G102 1471	Cover:Exit:Rear	1
4	G102 1364	Bracket:Exit:Left	1
5	GA00 3137	Decal:Operate:Toner Supply:EXP	1
6	G102 1363	Bracket:Exit:Right	1
7	GA00 3101	Decal:Toner Supply:Cover	4
8	G102 1481	Cover:Right	1
9	G102 1371	Louver:MM80	1
10	G102 1376	Cap:Louver:Dia80	1
11	G102 1378	Cap:Louver:Dia60	1
12	GA01 2002	Filter:Fan:Fusing	2
13	G102 1392	Cap:Louver:Drive	1
14	G102 1461	Cover:Exit:Front	1
15	GA15 1026	Seal:Paper Exit Sub-unit:Rear	1
16	G102 1367	Shaft:Overflow	1
17	G102 1366	Stay:Overflow	1
18	G102 1491	Cover:Harness:Rear	1
19	G020 1332	Hinge - Front Cover	1
20	GA00 3132	Decal:Operate:Fusing	2
21	G102 1357	Bracket:Magnet Catch:Left Rear	1
22	G102 1356	Bracket:Magnet Catch:Left Front	1
23	G102 1451	Cover:Left	1
24	A680 1443	Arm Shaft	3
25	AG07 1012	Magnet Catch:Ass'y	2
26	5206 2686	Snap Ring	1
27	GA17 4002	Cushion Sheet:Cover:Exit:Front	1

Index No.	Part No.	Description	Q'ty Per Assembly
101	0805 0092	Retaining Ring - 3m	
102	0450 3008N	Tapping Screw - M3x8	
103	0450 3012N	Tapping Screw:3x12	
104	0450 3010N	Tapping Screw - M3x10	
105	0451 3006N	Tapping Screw - 3x6	

2.BY-Pass Feed Section (G104/G105)

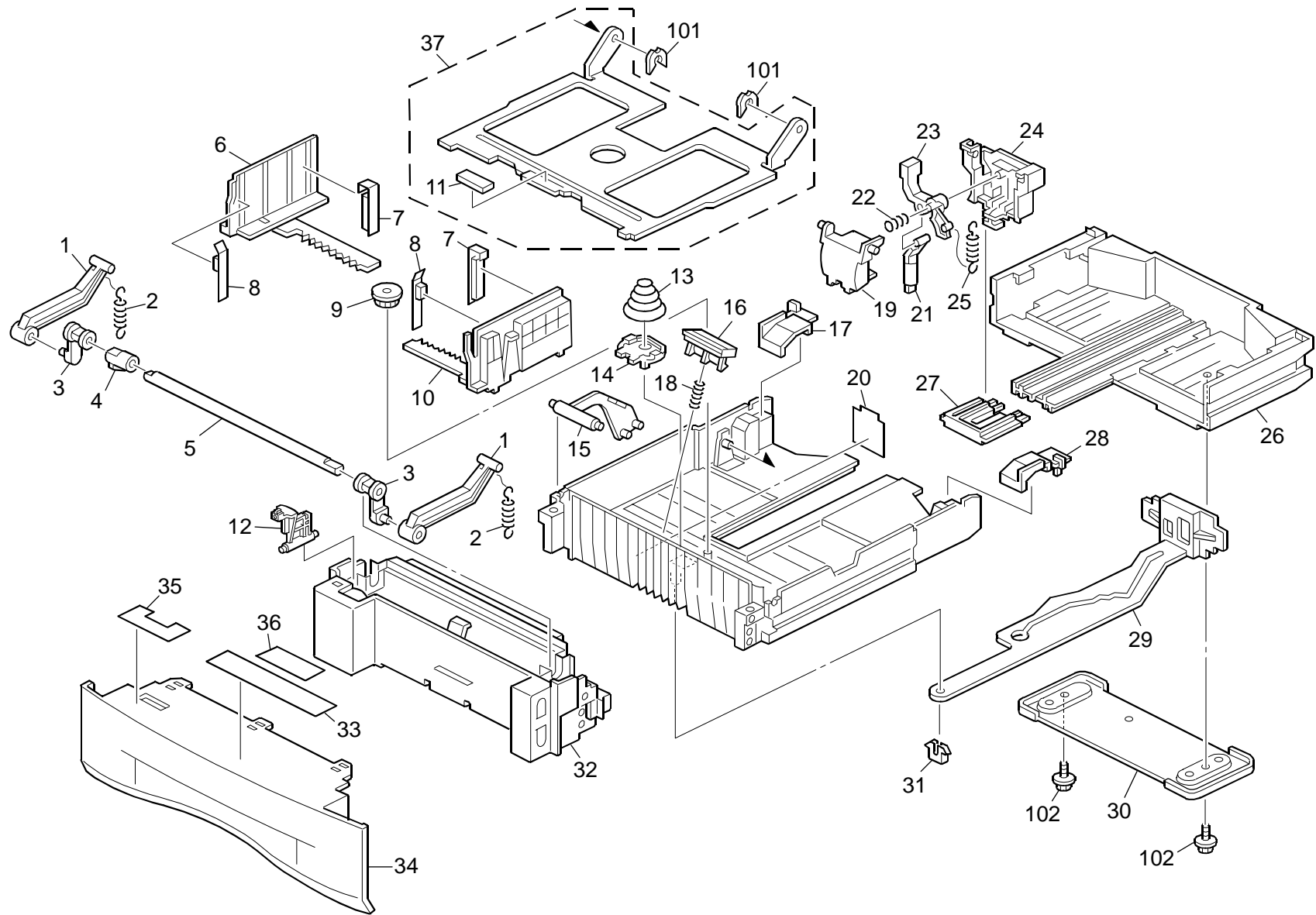


2.BY-Pass Feed Section (G104/G105)

Index No.	Part No.	Description	Q'ty Per Assembly
1	GA00 3117	Decal:Size Indication:Manual Feed	1
2	B039 2632	Rear Side Fence	1
3	B039 2631	Front Side Fence	1
4	G102 2752	Manual Feed Table	1
5	GW50 0003	Rotary Switch:Paper Size Sensor	1
6	G102 2789	Stopper:Photointerruptor	1
7	G102 2756	Rack:Side Fence:Front	1
8	G012 3050	Side Fence Gear	1
9	G102 2755	Rack:Side Fence:Rear	1
10	G102 2717	Cover:DC Solenoid	1
11	GX11 0019	DC Solenoid:24V:9.6W	1
12	G102 2720	Guide Plate:Manual Feed:Upper:Ass'y	1
13	AA08 2058	Bushing - 6x10x9mm	2
14	G102 2729	Cam:Manual Feed	2
15	G102 2728	Roller:Guide:Manual Feed	2
16	GF03 1003	Paper Feed Roller:MM30	1
17	GA14 0024	Shaft:Manual Feed:Press Fit	1
18	G102 2710	Roller:Guide:Tray Bottom Plate	2
19	G102 2706	Tray Bottom Plate:Manual Feed:Ass'y	1
20	GA06 3052	Compression Spring:Manual Feed	2
21	G102 2713	Holder:Friction Pad:Manual Feed:Ass'y	1
22	GA06 3063	Compression Spring:2n	1
23	GW02 0020	Photointerruptor:LG248NL1	1
24	G102 2701	Guide Plate:Manual Feed:Lower:Ass'y	1
25	GB01 3055	Gear:38z	1
26	G102 2741	Cover:Paper Feed Unit	1
27	G102 2742	Cover:Manual Feed:Lower	1
28	G102 2725	Feeler:Paper End	1
29	G102 2781	Cover:Manual Feed Table	1
30	G102 2786	Guide:Paper	1
31	GA00 3167	Decal:Caution:Inkjet:NA	1
32	GA00 3138	Decal:Operate:Manual Feed:EXP	1
33	G102 2715	Disc:Manual Feed	1
34	GA06 0059	Tension Spring:Manual Feed:Drive	1
35	G102 5461	Harness:Duplex:Manual Feed	1

Index No.	Part No.	Description	Q'ty Per Assembly
36	G102 2787	Stopper:Manual Feed	1
37	G102 2790	Spacer:Manual Feed Table	2
38	G102 2743	Cover:Slide:Manual Feed	1
39	G102 2744	Spring:Slide:Manual Feed:Lower	1
101	0805 0089	Retaining Ring - M4	
102	0450 3010N	Tapping Screw - M3x10	
103	1105 0511	Harness Clamp - LWS-0306ZC	
104	0451 3006N	Tapping Screw - 3x6	

3.Paper Cassette (G104/G105)

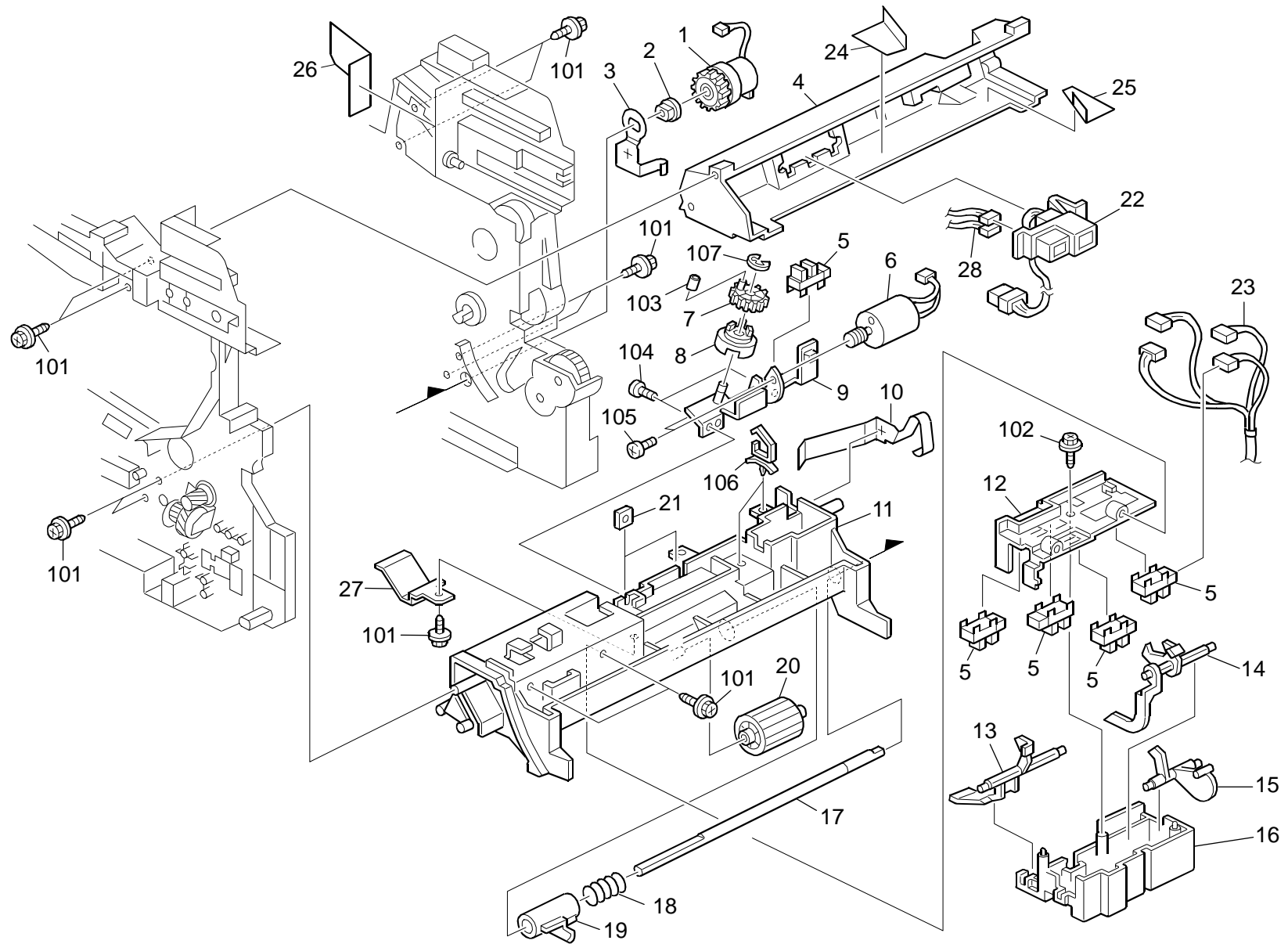


3.Paper Cassette (G104/G105)

Index No.	Part No.	Description	Q'ty Per Assembly
*	G102 2525	Paper Tray:Ass'y	1
1	G102 2807	Arm:Pressure:Change	2
2	G096 3083	Spring Tension	2
3	G102 2804	Cam:Pressure:Paper Tray	2
4	G102 2808	Feeler:Pressure:Paper Tray	1
5	G102 2803	Shaft:Pressure:Paper Tray	1
6	G096 3055	Left Side Fence	1
7	G102 2835	Seal:Side Fence:Rear	2
8	G102 2834	Seal:Side Fence	2
9	A267 2869	Gear - 16Z	1
10	G096 3056	Right Side Fence	1
11	G029 2608	Base Pad	1
12	G102 2805	Lever:Pressure:Change	1
13	G102 2817	Compression Spring:Tray Bottom Plate	1
14	G102 2816	Holder:Compression Spring	1
15	G102 2809	Filler Paper Volume Sensor	1
16	G096 3066	Friction Pad Adhesion	1
17	G102 2813	Protection:Paper Tray:Left	1
18	G096 3084	Separation Compression Spring	1
19	G096 3088	End Fence Pressure	1
20	G102 2833	Sheet:Holder:Paper Tray	1
21	G096 3087	End Fence Protection	1
22	G096 3089	End Fence Compression Spring 3.5n	1
23	G096 3086	End Fence Lever	1
24	G096 3085	End Fence	1
25	G096 3090	End Fence Tension Spring 12n	1
26	G096 3060	Rear Paper Tray	1
27	G102 2814	Rail:End Fence:Auxiliary	1
28	G102 2812	Protection:Paper Tray:Right	1
29	G102 2815	Paper Size Sensor Plate	1
30	G096 3065	Paper Tray Supporting Plate	1
31	G102 2832	Protection:Paper Size Sensor Plate	1
32	G102 2802	Guide Plate:Paper Tray	1
33	GA00 3118	Decal:Paper Set Direction:Paper Tray	1
34	G102 2801	Cover:Paper Tray	1

Index No.	Part No.	Description	Q'ty Per Assembly
35	GA00 3150	Decal:Operate:Paper Tray:Switch:EXP	1
36	GA00 3151	Decal:Paper Set Direction	1
37	G102 2818	Tray Bottom Plate:Adhesion	1
101	0805 0089	Retaining Ring - M4	
102	0450 3008N	Tapping Screw - M3x8	

4. Paper Regist Section (G104/G105)

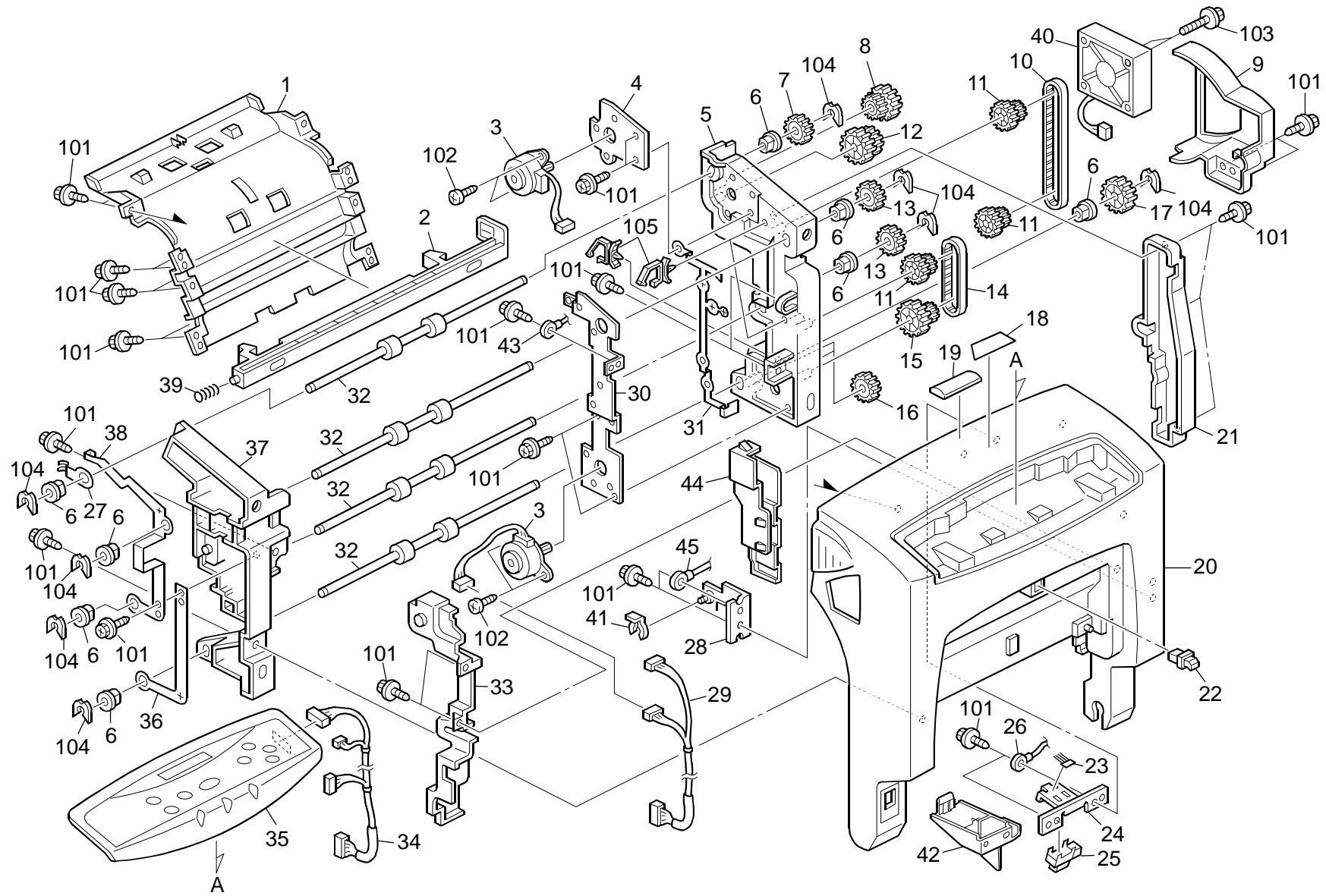


4.Paper Regist Section (G104/G105)

Index No.	Part No.	Description	Q'ty Per Assembly
1	GX20 0014	Magnetic Clutch:Registration:Ass'y	1
2	AA08 2075	Bushing - M6	1
3	G102 2830	Ground Plate:Paper Feed Roller	1
4	G102 1062	Duct:Fusing	1
5	GW02 0020	Photointerruptor:Lg248nl1	5
6	G102 2985	DC Motor:Shutter:Ass'y	1
7	G102 2989	Gear:91z	1
8	G102 2990	Feeler:Shutter	1
9	G102 2982	Bracket:Shutter:Ass'y	1
10	G102 2828	Ground Plate:Paper Feed	1
11	G102 2821	Stay:Paper Feed	1
12	G102 2822	Bracket:Paper Feed:Sensor:Upper	1
13	G102 2827	Feeler:Paper Size Sensor:Sub	1
14	G102 2831	Feeler:Paper Volume Sensor	1
15	G102 2826	Feeler:Paper End Sensor	1
16	G102 2823	Bracket:Paper Feed:Sensor:Lower	1
17	G102 2824	Shaft:Paper Feed	1
18	G102 2846	Compression Spring:Paper Feed	1
19	G102 2825	Bushing:Paper Feed Roller	1
20	G052 3103	Paper Feed Roller	1
21	G102 2991	Plate Nut:Shutter	2
22	G102 5455	Harness:Fusing:Drawer	1
23	G102 5453	Harness:Paper Feed:Sensor	1
24	G102 1181	Louver:Duct:Fusing:Left	1
25	G102 1180	Louver:Duct:Fusing:Right	1
26	G102 1391	Louver:Duct:Fusing	1
27	G102 2843	Guide:Stay:Paper Feed:Rear	1
28	G102 5413	Harness:Power Supply Unit:Heater (NA)	1
28	G102 5414	Harness:Power Supply Unit:Heater (EU)	1

Index No.	Part No.	Description	Q'ty Per Assembly
101	0450 3010N	Tapping Screw - M3x10	
102	0451 3006N	Tapping Screw - 3x6	
103	0707 4060N	Bushing:Dia4x6	
104	0453 3008N	Binding Self Tapping Screw:3x8	
105	0353 0030N	Screw:M3x3	
106	1105 0487	Harness Clamp	
107	0805 0092	Retaining Ring - 3m	

5. Paper Transfer Section 1 (G104/G105)

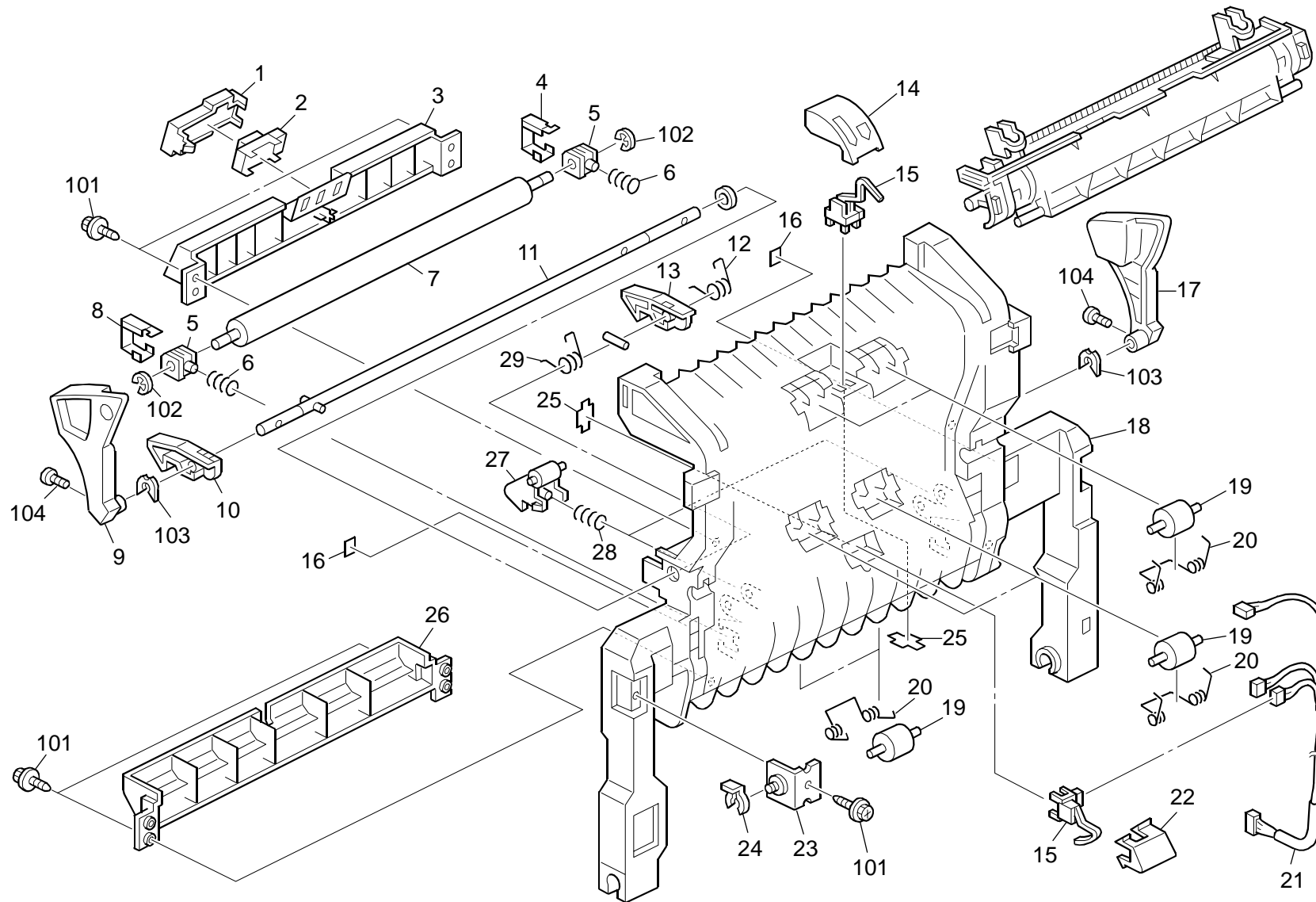


5.Paper Transfer Section 1 (G104/G105)

Index No.	Part No.	Description	Q'ty Per Assembly
1	G102 4619	Guide Plate:Duplex:Upper	1
2	G102 4603	Lever:Cover:Outer	1
3	GX06 0019	Stepper Motor:PM42L048RBG8	2
4	G102 4610	Bracket:Stepper Motor:Reverse	1
5	G102 4602	Side Plate:Drive:Duplex:Right	1
6	AA08 2101	Bushing - 6x10x6	8
7	GB01 0018	Gear:27z	1
8	GB01 7047	Gear:32/32z	1
9	G102 4624	Duct:Reverse	1
10	GA04 3027	Timing Belt:60S2M296	1
11	GB01 7045	Gear:20z:21t	3
12	GB01 7046	Gear:27/52z	1
13	GB01 1057	Gear:20z	2
14	GA04 3026	Timing Belt:60S2M234	1
15	GB01 7044	Gear:52z/21t	1
16	GB01 0017	Gear:36z	2
17	GB01 0019	Gear:52z	1
18	GA00 1014	Decal:Name Plate:RIC:EXP:P1-A	1
18	GA00 1015	Decal:Name Plate:RIC:EXP	1
18	GA00 1016	Decal:Name Plate:GES:G104	1
18	GA00 1018	Decal:Name Plate:NSA:G104	1
18	GA00 1019	Decal:Name Plate:REX:G104	1
18	GA00 1020	Decal:Name Plate:GES:G105	1
18	GA00 1021	Decal:Name Plate:NSA:G105	1
18	GA00 1022	Decal:Name Plate:REX:G105	1
18	GA00 1024	Decal:Name Plate:LAN:G104:EU	1
19	G102 1390	Plate:Logotype:RIC	1
19	GA00 1031	Plate:Brand Name:GES	1
19	GA00 1032	Plate:Brand Name:NSA	1
19	GA00 1033	Plate:Brand Name:REX	1
19	GA00 1035	Plate:Brand Name:LAX	1
20	G102 4600	Cover:Front:Outer	1
21	G102 4604	Drum Positioning Plate :Drive:Duplex	1
22	AG07 1007	Latch - By Pass Feed Table	1
23	G102 4627	Discharge Brush:Reverse Roller	1

Index No.	Part No.	Description	Q'ty Per Assembly
24	G102 4621	Bracket:Reverse:Sensor	1
25	AW01 0061	Paper Feed Sensor:Fusing Exit	1
26	G102 4620	Ground Wire:Duplex:Outer	1
27	G102 4626	Ground Plate:Reverse Roller	1
28	G102 4611	Bracket:Cover:Stopper:Outer:Peen	1
29	G102 5458	Harness:Duplex:Motor:Connecting	1
30	G102 4625	Bracket:Stepper Motor:Duplex	1
31	G102 4616	Ground Plate:Transport Roller:Lower	1
32	GF02 0032	Transport Roller:Duplex	4
33	G102 4608	Inner Cover:Drive:Duplex	1
34	G102 5463	Harness:Duplex:OPU:Connecting	1
35	G104 1401	Operation Sub-unit:G-P1:NA:Ass'y	1
35	G104 1403	Operation Sub-unit:G-P1:Chn:Ass'y	1
36	G102 4606	Ground Plate:Transport Roller:Lower	1
37	G102 4601	Side Plate:Drive:Duplex:Left	1
38	G102 4605	Ground Plate:Transport Roller	1
39	GA06 0078	Compression Spring:Lever:5n	1
40	GX64 0029	Fan:Mm40x15:Nidec:L	1
41	5215 2621	Snap Ring - M6	1
42	G102 4607	Bracket:Reverse:Sensor	1
43	G102 5539	Ground Wire - OPU	1
44	G102 4613	Cover:Outer:Harness	1
45	G102 4618	Ground Wire:Duplex	1
101	0450 3010N	Tapping Screw - M3x10	
102	0452 3010N	Binding Self-tapping Screw:3x10	
103	0450 3025N	Tapping Screw:3x25	
104	0805 0089	Retaining Ring - M4	
105	1105 0487	Harness Clamp	

6.Paper Transfer Section 2 (G104/G105)

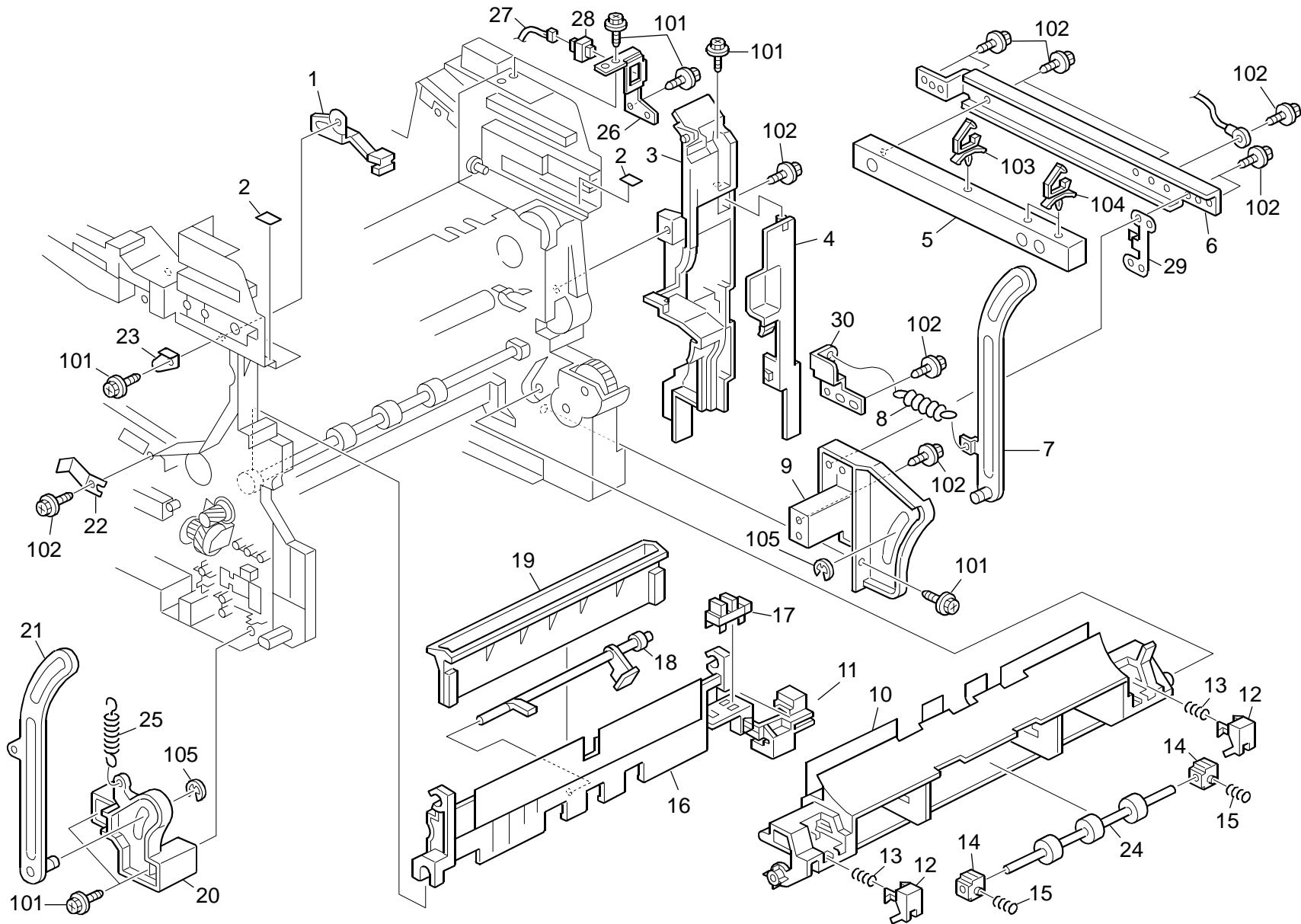


6.Paper Transfer Section 2 (G104/G105)

Index No.	Part No.	Description	Q'ty Per Assembly
1	G102 4661	Cover:Fusing:Entrance Sensor	1
2	AW01 0061	Paper Feed Sensor:Fusing Exit	1
3	G102 4656	Guide Plate:Transfer Roller:Upper	1
4	G102 4622	Holder:Registration:Driven:Right	1
5	GA08 0025	Bushing:Registration:Driven	2
6	GA06 3062	Compression Spring:20n	2
7	GF02 1005	Registration Roller:Driven	1
8	G102 4623	Holder:Registration:Driven:Left	1
9	G102 4655	Lever:Cover:Inner:Left	1
10	G102 4652	Lever:Lock:Cover:Left	1
11	G102 4651	Shaft:Lever:Inner:Ass'y	1
12	GA06 6046	Torsion Spring:Lever:Duplex:Right	1
13	G102 4653	Lever:Lock:Cover:Right	1
14	G102 4662	Cover:Duplex:Entrance	1
15	AW50 0026	Original Sensor	2
16	GA00 3132	Decal:Operate:Fusing	2
17	G102 4654	Lever:Cover:Inner:Right	1
18	G102 4650	Cover:Front:Inner	1
19	GF02 2025	Roller:Driven:Duplex	6
20	GA06 6044	Torsion Spring:Driven:Duplex	6
21	G102 5464	Harness:Duplex:Connecting	1
22	G102 4663	Cover:Duplex:Middle	1
23	G102 4657	Bracket:Cover:Stopper:Inner:Peen	1
24	5447 2681	Snap Ring	1
25	G102 4664	Sheet:Surface Of Paper Sensor	2
26	G102 2581	Guide Plate:Registration:Driven	1
27	G102 6292	Lever:Pressure:Transfer Unit	2
28	G102 6293	Spring:Transfer Unit:Left	2
29	GA06 6045	Torsion Spring:Lever:Duplex:Left	1

Index No.	Part No.	Description	Q'ty Per Assembly
101	0450 3010N	Tapping Screw - M3x10	
102	0720 0040E	Retaining Ring - M4	
103	0805 0089	Retaining Ring - M4	
104	0451 3006N	Tapping Screw - 3x6	

7.Paper Transfer Section 3 (G104/G105)

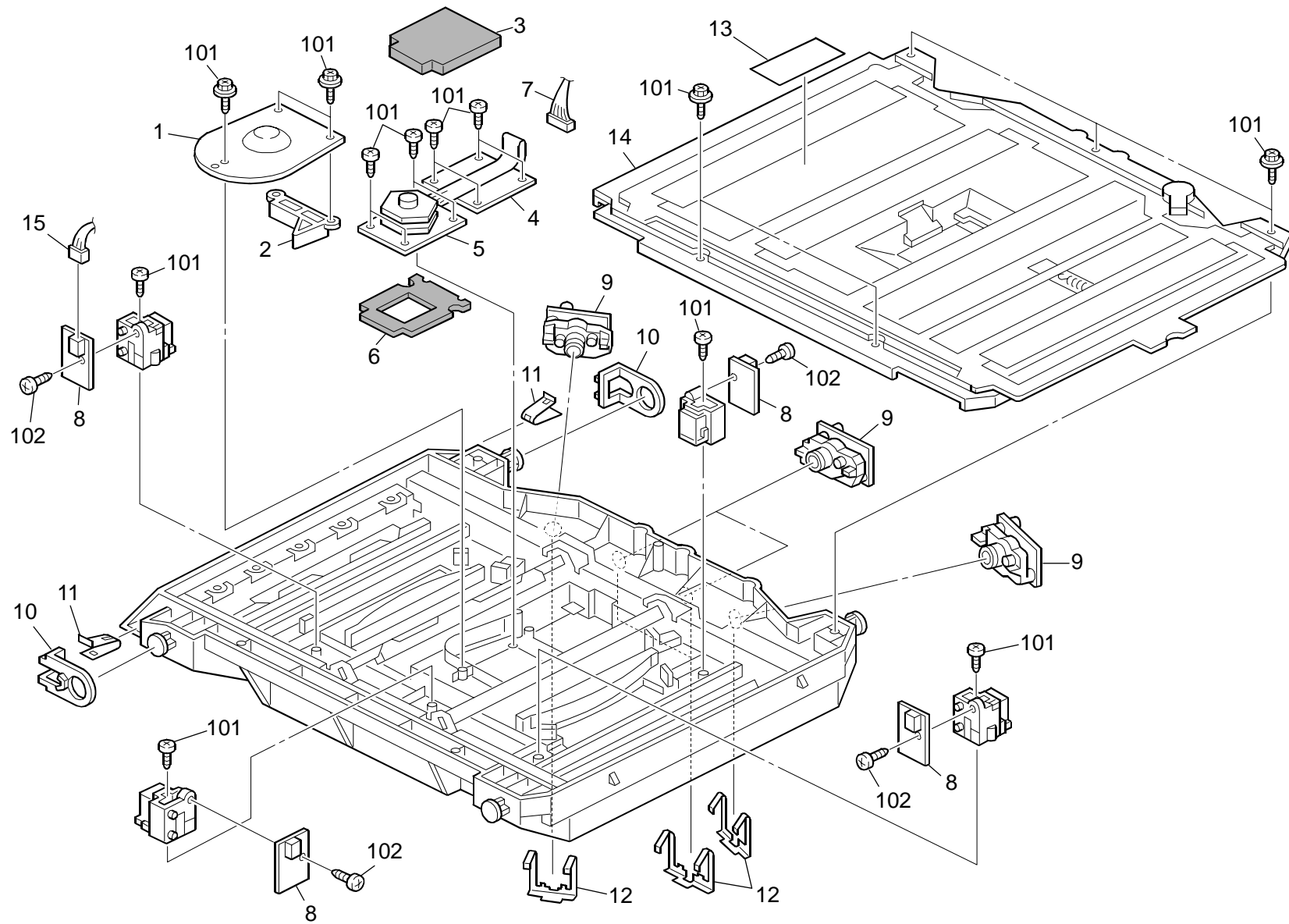


7.Paper Transfer Section 3 (G104/G105)

Index No.	Part No.	Description	Q'ty Per Assembly
1	G102 1141	Bracket:Spring Plate:Ass'y	1
2	GA00 3132	Decal:Operate:Fusing	2
3	G102 1511	Inner Cover:Right Front	1
4	G102 1381	Cap:Inner Cover:Right Front	1
5	G102 4708	Cover:Bracket:Stay	1
6	G102 4707	Stay:Stopper:Right	1
7	G102 4702	Stopper:Cover:Outer:Peen	1
8	GA06 3050	Spring:Stopper:Right	1
9	G102 4700	Bracket:Stopper:Outer	1
10	G102 2600	Guide Plate:Connecting:Ass'y	1
11	G102 2708	Cover:Registration Sensor	1
12	G102 2609	Lever:Pressure:Connecting	2
13	GA06 3053	Compression Spring:8n	2
14	G060 2652	Bushing - M4	2
15	AA06 3607	Pressure Spring	2
16	G102 2550	Guide Plate:Registration	1
17	GW02 0020	Photointerruptor:LG248NI1	1
18	G102 2571	Feeler:Registration Sensor	1
19	G102 2560	Case:Remove Paper Dust:Ass'y	1
20	G102 4701	Bracket:Stopper:Inner	1
21	G102 4704	Stopper:Cover:Inner:Peen	1
22	G102 1059	Spring Plate:Pressure:Imaging Unit	1
23	G102 1144	Ground Plate:Discharge	1
24	AF02 2135	Driven Roller - M3x16	1
25	GA06 3068	Spring:Stopper:Left	1
26	G102 4712	Bracket:Push Switch:Cover:Outer	1
27	G102 5535	Harness:Front:Cover:Sensor	1
28	G020 5626	Push Switch	1
29	G102 4710	Ground Plate:Stay:Stopper	1
30	G102 4711	Bracket:Spring:Stopper	1

Index No.	Part No.	Description	Q'ty Per Assembly
101	0451 3006N	Tapping Screw - 3x6	
102	0450 3010N	Tapping Screw - M3x10	
103	1105 0516	Clamp	
104	1105 0488	Harness Clamp	
105	0720 0060E	Retaining Ring - M6	

8. Optics Section (G104/G105)

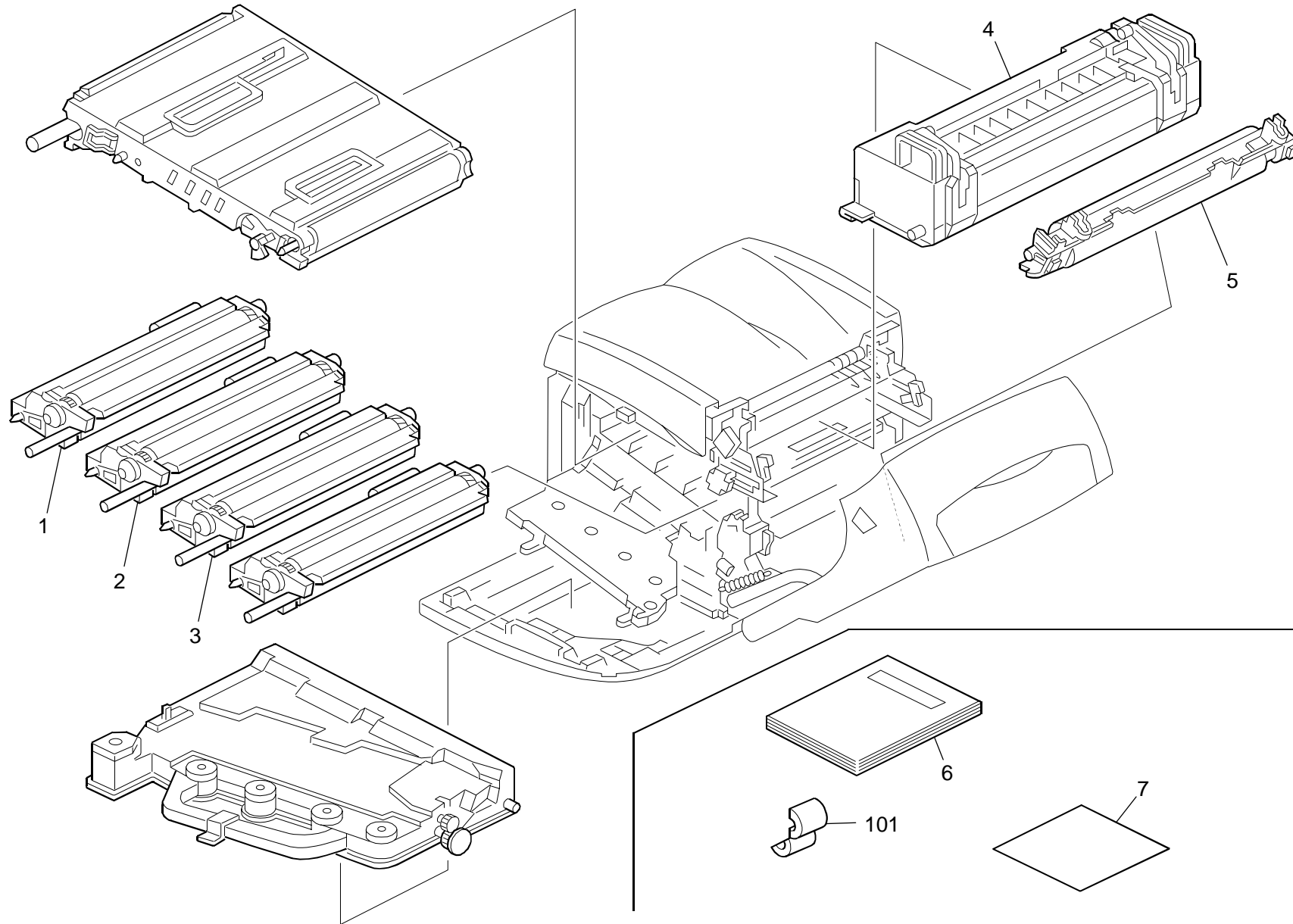


8.Optics Section (G104/G105)

Index No.	Part No.	Description	Q'ty Per Assembly
1	G102 1940	Cover:Polygon Scanner:Ass'y	1
2	G102 1943	Shielding Plate:Polygon Scanner	1
3	G102 1945	Seal:PCB:Polygon Scanner	1
4	G102 5291	PCB:Polygon Scanner	1
5	GX06 0020	Polygon Scanner	1
6	G102 1944	Shield:Polygon Scanner	1
7	G102 5450	Harness:Polygon Mirror Motor	1
8	G102 5060	PCB:Sync Detector Board:1PD	4
9	G102 1960	Laser Diode Unit:Ass'y	4
10	G102 1997	Lever:Fix:Imaging Unit	2
11	G102 1998	Spring Plate:Imaging Unit	2
12	G102 1963	Spring Plate:Laser Diode Unit	4
13	AA00 0217	Decal - LD 655	1
14	G102 1990	Cover:Optical Housing:Ass'y	1
15	G102 5451	Harness:Sync Detector	1

Index No.	Part No.	Description	Q'ty Per Assembly
101	0452 3010N	Binding Self-tapping Screw:3x10	
102	0452 3008N	Tapping Screw - M3x8	

9. Supply Unit (G104/G105)



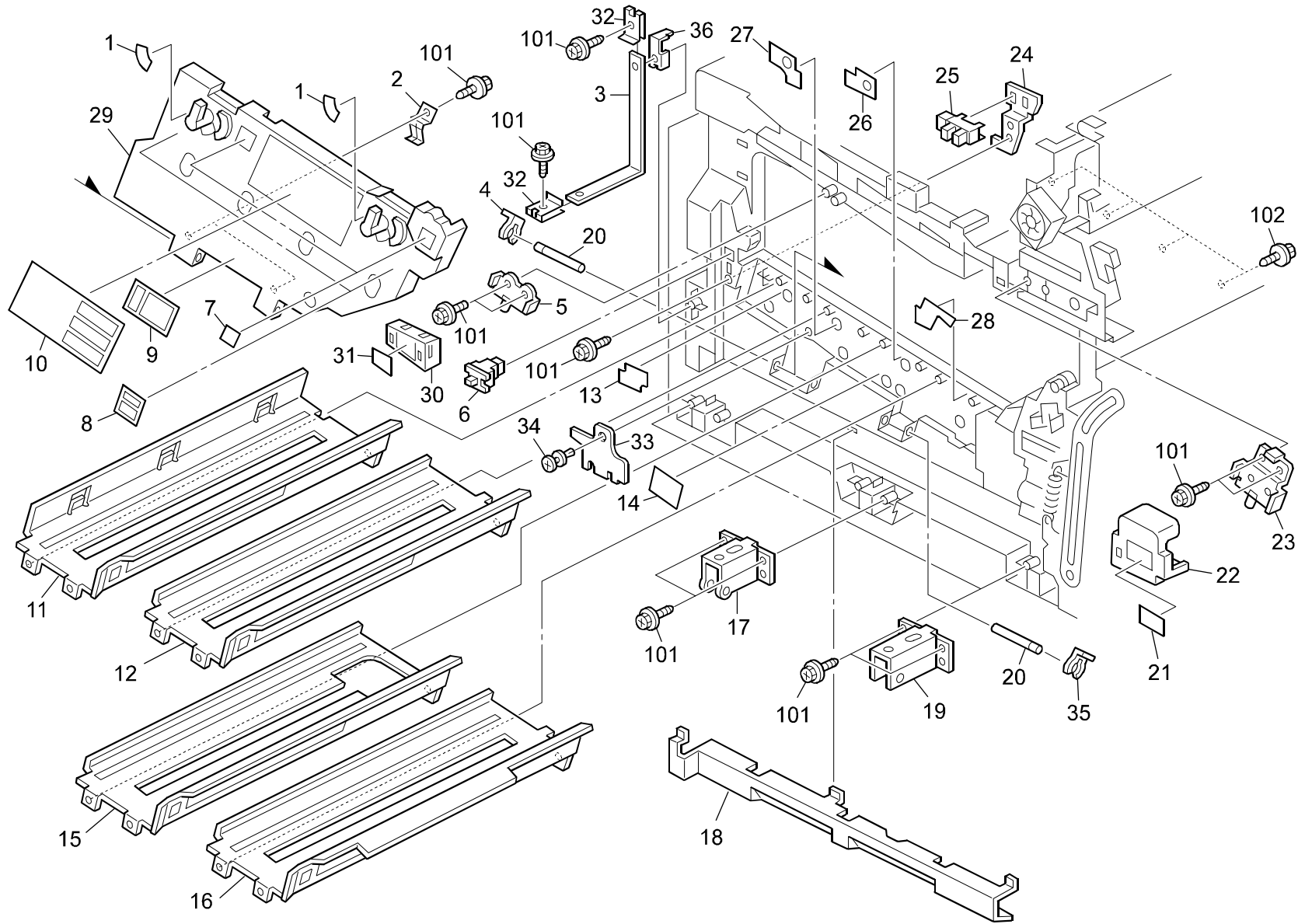
9. Supply Unit (G104/G105)



Index No.	Part No.	Description	Q'ty Per Assembly
1	G235 2001	PCU - M	1
2	G235 2002	PCU - C	1
3	G235 2003	PCU - Y	1
4	G102 4051	Fusing Unit - NA	1
4	G102 4052	Fusing Unit - EU	1
5	G102 6200	Transfer Roller Unit	1
6	G105 8615	Manual - Setup Guide:NA	1
6	G105 8616	Manual - Maintenance Guide:NA	1
7	G105 7491	Sheet - Color Chart	1

Index No.	Part No.	Description	Q'ty Per Assembly
101	1607 1715	Ferrite Core:RFC-5	

10.Developer Section 1 (G104/G105)

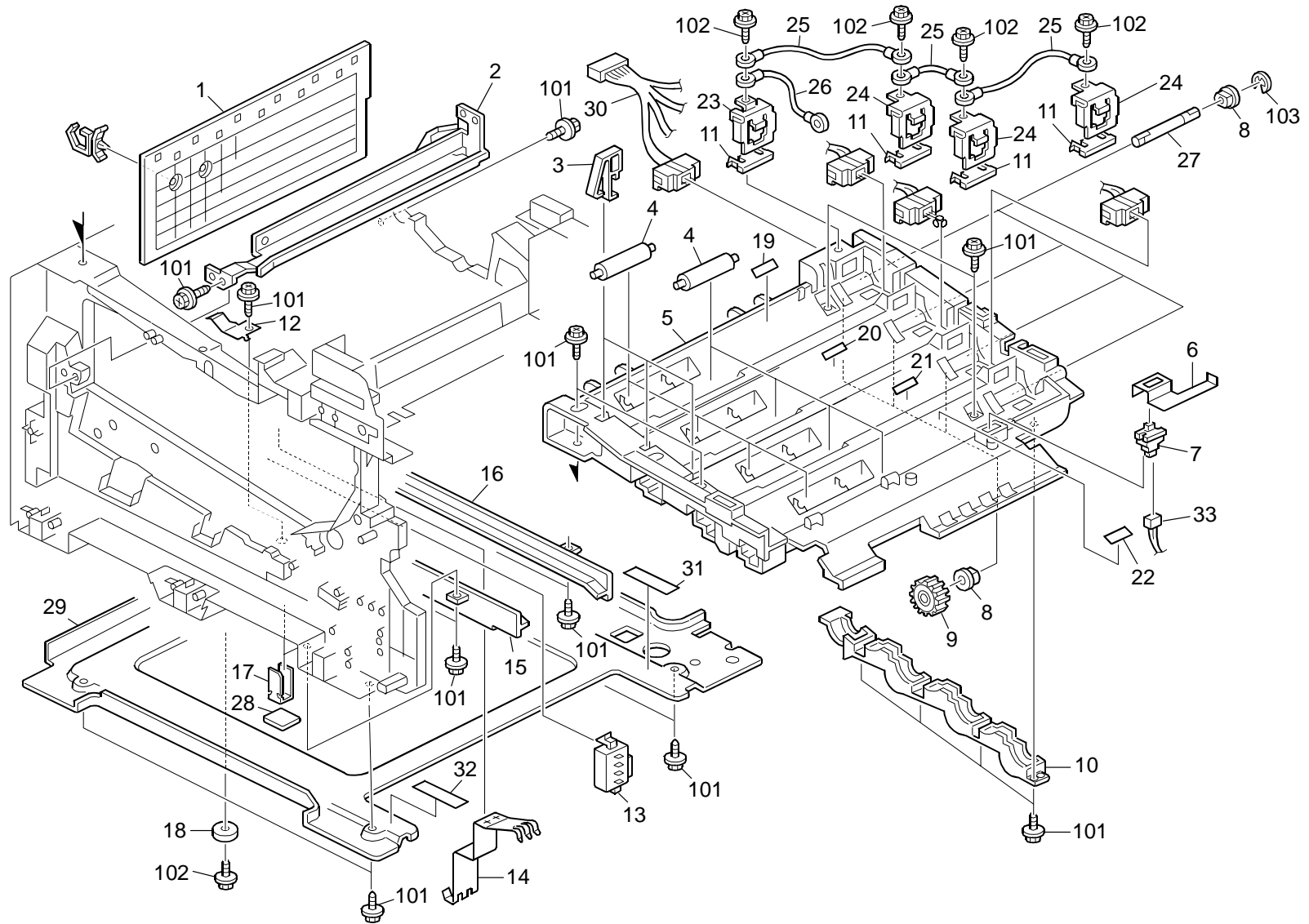


10.Developer Section 1 (G104/G105)

Index No.	Part No.	Description	Q'ty Per Assembly
1	GA00 1011	Decal:Release:Lever:Drum Stay	2
2	G102 1080	Ground Plate:Drum Positioning	1
3	G102 1355	Band:Stopper:Door	1
4	GA10 0002	Snap Rings:4:1.7t	1
5	G102 1113	Bracket:Left:Ass'y	1
6	G020 5626	Push Switch	1
7	GA00 3114	Decal:Drum Stay:Lock	2
8	GA00 3127	Decal:Operate:Lock:Drum Stay	2
9	GA00 3130	Decal:Toner Recycling Section	1
10	GA00 3149	Decal:Positioning Display	1
11	G102 1066	Slide Rail:Y:Ass'y	1
12	G102 1067	Slide Rail:C:Ass'y	1
13	GA00 3110	Decal:Development Unit:Y	1
14	GA00 3131	Decal:Operate:PCU	1
15	G102 1068	Slide Rail:M:Ass'y	1
16	G102 1048	Slide Rail:K	1
17	GG06 1009	Bracket:Hinge:Left Middle	1
18	G102 5828	Guide:Harness:Main Switch	1
19	GG06 1008	Bracket:Hinge:Left	1
20	GA14 8010	Shaft:Hinge:Drum Stay	2
21	GA00 3116	Decal:Drum Stay:Un Lock:Right	1
22	G102 1117	Cover:Plate:Right	1
23	G102 1116	Bracket:Right:Ass'y	1
24	G102 6595	Bracket:Waste Toner Sensor	1
25	GW02 0020	Photointerruptor:LG248NL1	1
26	GA00 3109	Decal:Development Uni:M	1
27	GA00 3108	Decal:Development Unit:C	1
28	GA00 3111	Decal:Development Unit:K	1
29	G102 1076	Drum Positioning Plate	1
30	G102 1114	Cover:Plate:Left	1
31	GA00 3115	Decal:Drum Stay:Un Lock:Left	1
32	A232 3962	Spring Plate - Band Stopper	2
33	G102 1168	Cover:Connector:Drum Stay	1
34	G102 1169	Rivet:12A1	1
35	GA10 0003	Snap Rings:4:2.2t	1

Index No.	Part No.	Description	Q'ty Per Assembly
36	G102 1173	Bracket:Belt:Drum Positioning	1
101	0450 3010N	Tapping Screw - M3x10	
102	0451 3006N	Tapping Screw - 3x6	

11.Developer Section 2 (G104/G105)

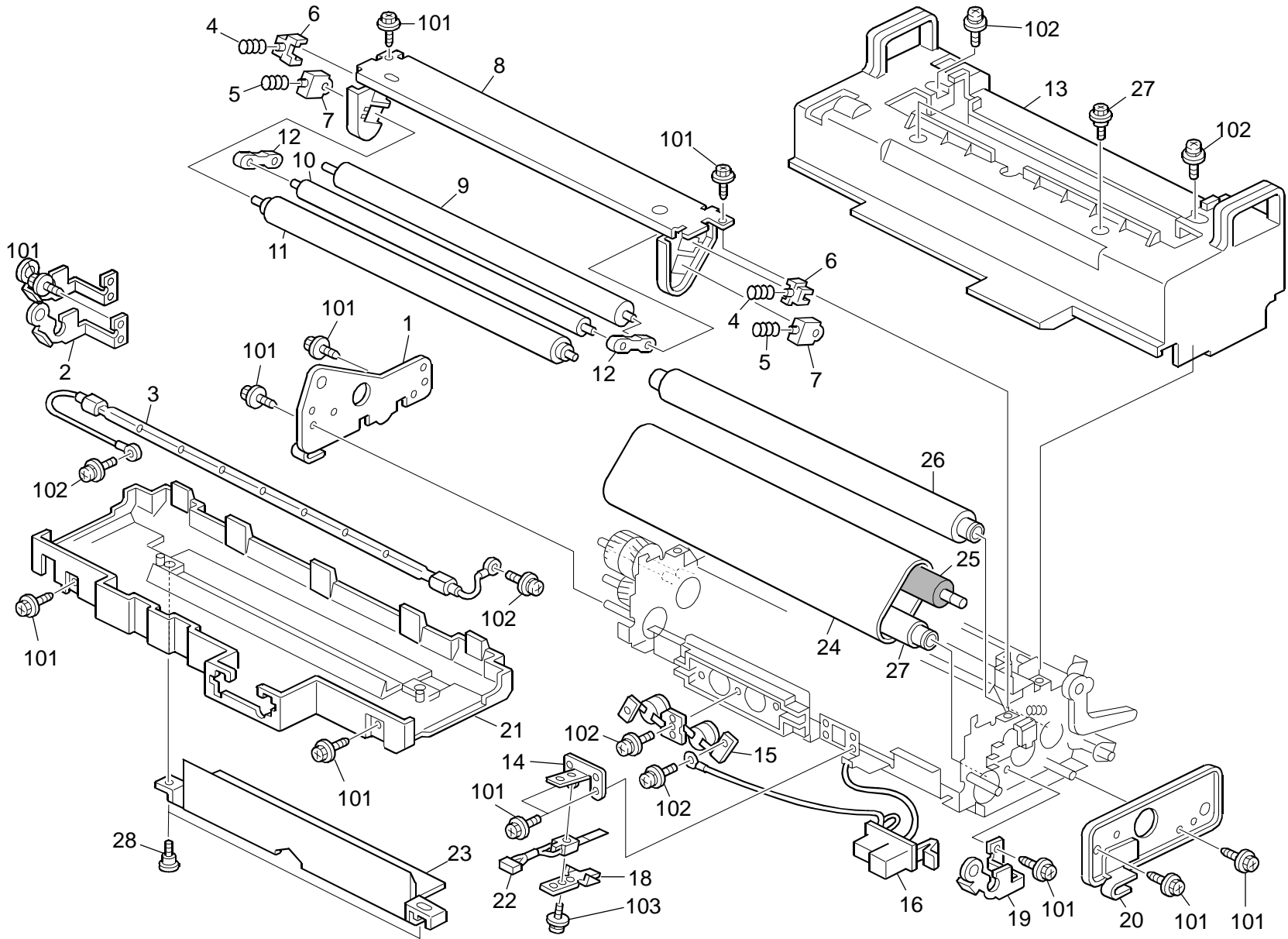


11.Developer Section 2 (G104/G105)

Index No.	Part No.	Description	Q'ty Per Assembly
1	G102 1061	Shielding Plate:Power Supply Unit	1
2	G102 3868	Rail:Cleaning Unit:Peen	1
3	G102 1072	Plate:Toner Bottle	1
4	B039 2558	Driven Roller	8
5	G102 1070	Base:Toner Bottle:Sub-ass'y	1
6	G102 1393	Ground Plate:Push Switch:Exit	1
7	G020 5626	Push Switch	1
8	AA08 2101	Bushing - 6x10x6	1
9	GB01 3060	Gear:28z	1
10	G102 1125	Cover:Toner Supply:Lower	1
11	G102 1166	Holder:Ground Plate:Connector	4
12	G102 2845	Ground Plate:Paper Tray:Rear Lower	1
13	GW50 0002	Push Switch:Paper Size Sensor	1
14	G102 1052	Ground Plate:Base:Lower	1
15	G102 1053	Rail:Paper Tray:Left	1
16	G102 1054	Rail:Paper Tray:Right	1
17	G102 1041	Holder:Rubber Foot	4
18	G102 1040	Stand:Frame	1
19	GA00 3095	Decal:Toner Supply:Y	1
20	GA00 3093	Decal:Toner Supply:C	1
21	GA00 3094	Decal:Toner Supply:M	1
22	GA00 3096	Decal:Toner Supply:K	1
23	G102 1147	Ground Plate:Connector:Y	1
24	G102 1146	Ground Plate:Connector:K	3
25	G102 1148	Ground Wire:ID:Connecting	3
26	G102 1159	Ground Wire:ID:Gnd	1
27	GA14 8011	Shaft:Drive:Agitator	1
28	G102 1042	Rubber Foot:Frame	4
29	G102 1051	Base:Frame:Lower	1
30	G102 1120	Harness:ID chip Connector	1
31	G102 2848	Sheet:Base:Right	1
32	G102 2849	Sheet:Base:Left	1
33	G102 5477	Harness:Exit:Cover:Sensor	1

Index No.	Part No.	Description	Q'ty Per Assembly
101	0450 3010N	Tapping Screw - M3x10	
102	0353 0060N	Philips Pan Head Bind Screw - M3x6	
103	0720 0040E	Retaining Ring - M4	

12.Fusing Unit (G104/G105)

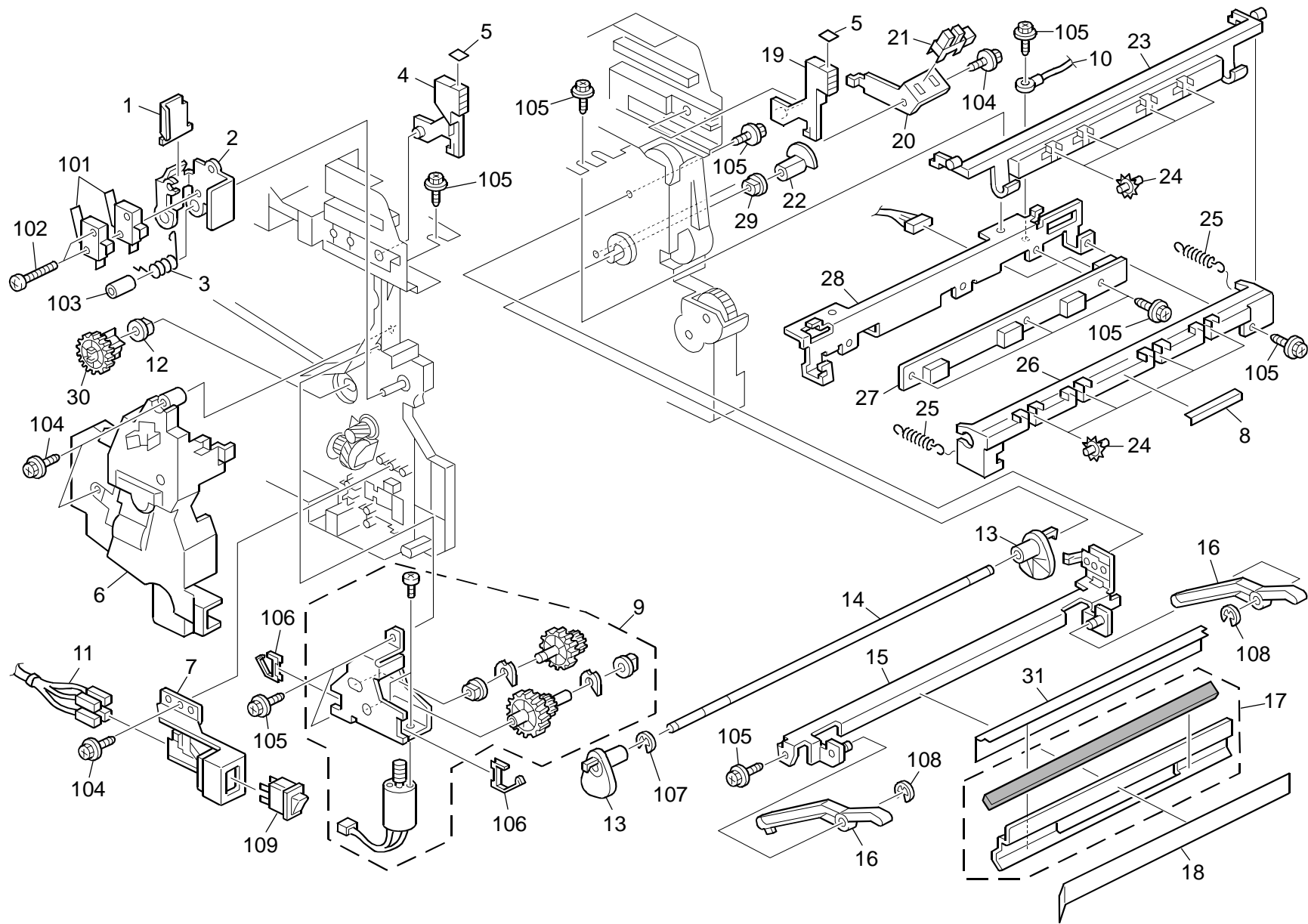


12.Fusing Unit (G104/G105)

Index No.	Part No.	Description	Q'ty Per Assembly
1	G102 4270	Bracket:Fusingframe:Right:Ass'y	1
2	G102 4242	Bracket:Heater:Fusing:Right	1
3	GX44 0011	Heater:NA:850W:120%	1
3	GX44 0012	Heater:EU:850w:120%	1
4	AA06 3531	Pressure Spring - 12mm	2
5	A212 2539	Spring - Registration Roller	2
6	GE03 0004	Bushing:Oil Supply Roller	2
7	GE03 0003	Bushing:Belt Tensioner	2
8	G102 4330	Bracket:Belt Tensioner:Peen	1
9	GE04 0003	Roller:Belt Tensioner:Fusing Belt	1
10	G102 4322	Cleaning Roller:Dia11	1
11	GE04 0001	Oil Supply Roller:Fusing:Dia18	1
12	GE03 0005	Bushing:Oil Supply Roller:Gap	2
13	G102 4375	Fusing Cover:Upper	1
14	GE01 0001	Heat Roller:Dia20	1
15	G102 4170	Thermostat	1
16	G102 4353	Connector:Fusing:NA	1
16	G102 4354	Connector:Fusing:EU	1
17	GW10 0005	Thermistor:Fusing	1
18	G102 4155	Plate:Thermistor	1
19	G102 4241	Bracket:Heater:Fusing:Left	1
20	G102 4265	Bracket:Frame:Left:Ass'y	1
21	G102 4287	Fusing Cover:Lower	1
22	G102 4157	Bracket:Thermistor	1
23	G102 4283	Fusing Entrance Guide Plate	1
24	G102 4106	Fusing Belt:Dia45:Ass'y	1
25	GE01 0000	Hot Roller:Dia29	1
26	GE02 0000	Pressure Roller:pFa:Dia30	1
27	AA14 3520	Shoulder Screw - M3	2
28	AA14 3792	Screw:Drawer	2

Index No.	Part No.	Description	Q'ty Per Assembly
101	0954 3008N	Screw - M3x8	
102	0360 3006N	Screw - M3x6	
103	0954 3012N	Screw - M3x12	

13.Fusing Section (G104/G105)

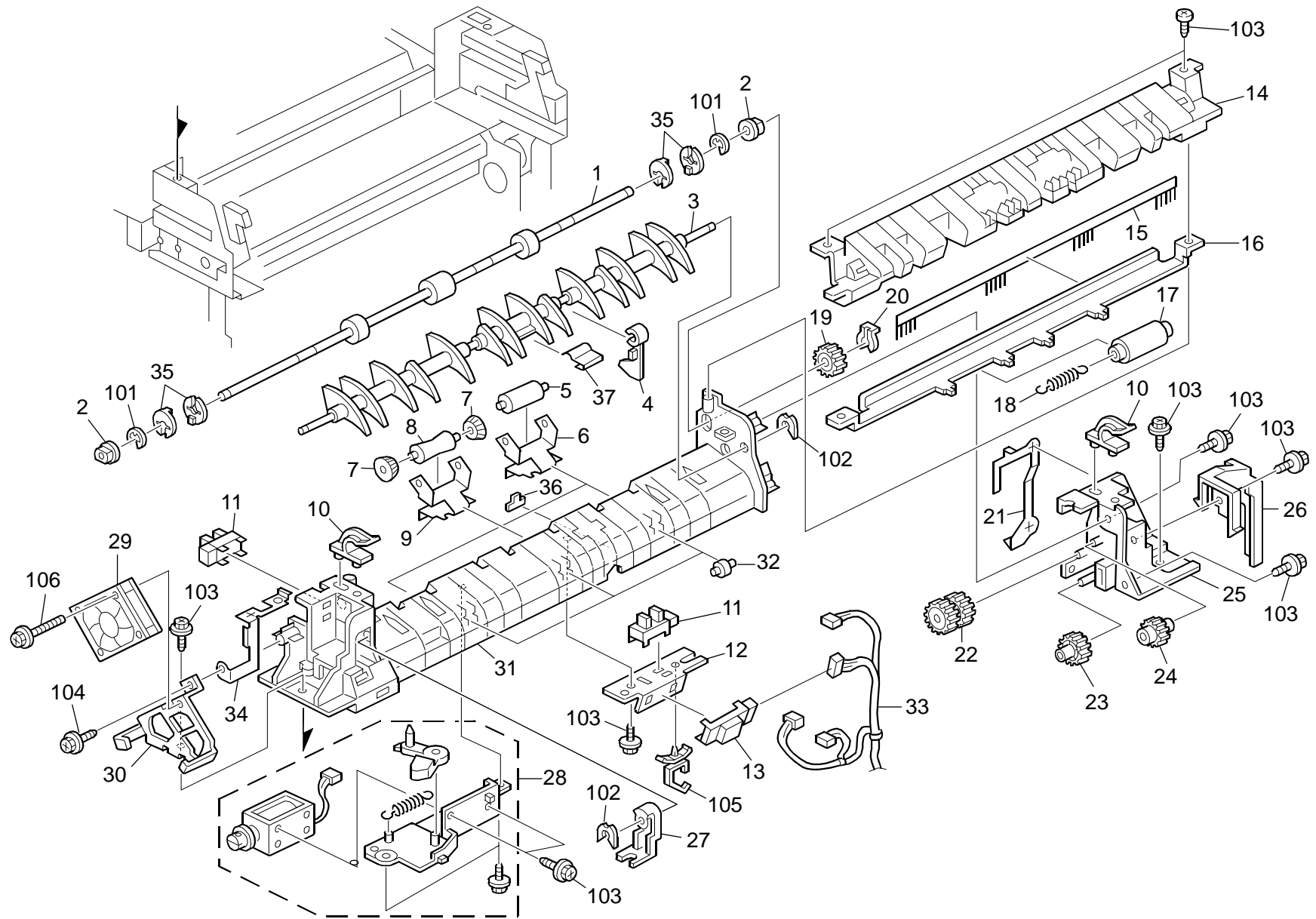


13.Fusing Section (G104/G105)

Index No.	Part No.	Description	Q'ty Per Assembly
1	G102 5825	Guide Plate:Safety Switch	1
2	G102 5824	Bracket:Safety Switch	1
3	G102 5826	Torsion Spring:Safety Switch	1
4	G102 1064	Lever:Lock:Fusing:Left	1
5	GA00 3132	Decal:Operate:Fusing	2
6	G102 1501	Inner Cover:Left Front	1
7	G102 5827	Cover:Main Switch	1
8	G102 6341	Sheet:Sensor	1
9	G102 1350	Transfer Belt Contact Motor Ass'y	1
10	G102 5497	Ground Wire:Density Sensor	1
11	G102 5410	Harness:PSU-Powersw	1
12	A184 1086	Bushing:Mm6	2
13	G102 1337	Cam:On-off:No.2	2
14	GA14 0000	Shaft:On-off:No.2	1
15	G102 6302	Guide:Frame	1
16	G102 6308	Lever:On-off:Transfer Unit	2
17	G102 2842	Remove Paper Dust:Ass'y	1
18	G102 6307	Guide:Transfer Roller:Entrance	1
19	G102 1063	Lever:Lock:Fusing:Right	1
20	G102 1320	Bracket:Sensor:On-off:No.2	1
21	GW02 0020	Photointerruptor:LG248NL1	1
22	G102 1338	Shielding Plate:On-off:No.2	1
23	G102 6329	Shutter:Density Sensor:Ass'y	1
24	B004 2310	Spur	8
25	G102 6334	Tension Spring:Cleaner:Density Sensor	2
26	G102 6335	Cover:Density Sensor	1
27	G102 6336	Density Sensor	1
28	G102 6333	Holder:Density Sensor	1
29	AA08 2101	Bushing - 6x10x6	1
30	GB01 0003	Gear:61z	1
31	G102 2847	Cover:Remove Paper Dust:Registration	1

Index No.	Part No.	Description	Q'ty Per Assembly
101	1204 2521	Micro Switch	
102	0353 0250N	Screw:M3x25	
103	0707 6250N	Bushing:DIA6x25	
104	0450 3010N	Tapping Screw - M3x10	
105	0451 3006N	Tapping Screw - 3x6	
106	1105 0522	Edge Saddle - LES0510	
107	0720 0040E	Retaining Ring - M4	
108	0720 0060E	Retaining Ring - M6	
109	1204 2628	Switch 250V/10A	

14. Paper Exit Section (G104/G105)

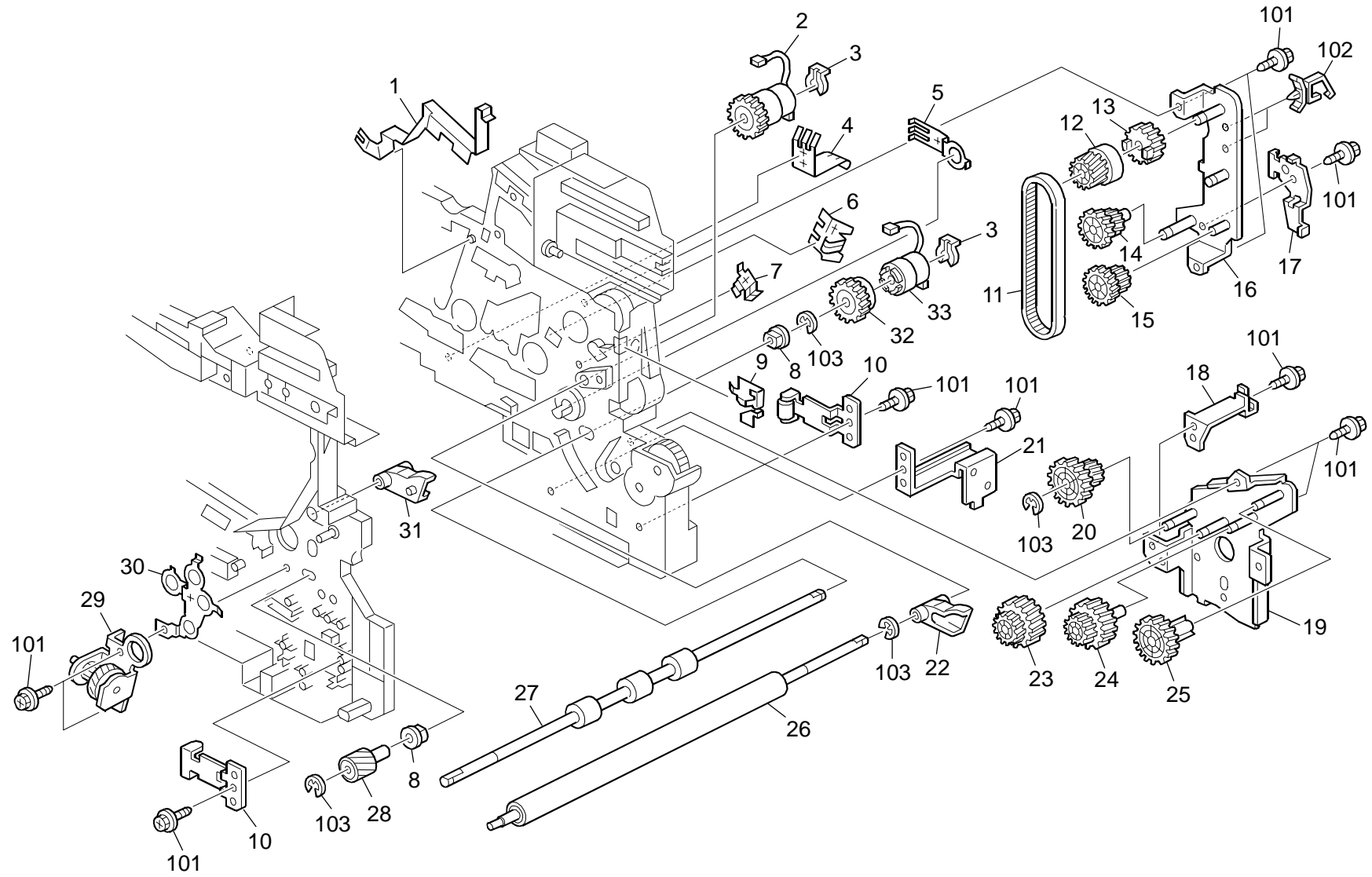


14.Paper Exit Section (G104/G105)

Index No.	Part No.	Description	Q'ty Per Assembly
1	GF02 0035	Exit Roller	1
2	AA08 2101	Bushing - 6x10x6	2
3	GF02 5006	Junction Gate	1
4	G102 4464	Feeler:Exit:Sub-ass'y	1
5	GF04 0011	Exit Roller:Driven:Outer	2
6	G102 4469	Holder:Exit Roller:Driven:Outer	2
7	G102 4470	Ring:Exit Roller:Driven	2
8	GF04 0009	Exit Roller:Driven	1
9	G102 4456	Holder:Exit Roller:Driven	1
10	G102 4453	Guide:Positioning:Reverse Roller	2
11	GW02 0020	Photointerruptor:LG248NL1	2
12	G102 4462	Bracket:Sensor:Exit	1
13	GW01 0007	Photo Refiection Sensor:Exit	1
14	G102 4452	Guide Plate:Exit:Upper	1
15	GA12 0010	Discharge Brush:Exit	1
16	G102 4454	Stay:Exit	1
17	GF04 0010	Roller:Reverse Roller:Driven	2
18	GA06 0061	Tension Spring:Reverse:8.1n	2
19	GB01 3057	Gear:17z	1
20	AA10 0014	Retaining Ring C - Separate	1
21	G102 4463	Ground Plate:Exit	1
22	GB01 7049	Gear:14/20z	1
23	GB01 4001	Gear:16z	1
24	GB01 3056	Gear:14z	1
25	G102 4451	Guide Plate:Exit:Right	1
26	G102 4467	Cover:Harness:Exit	1
27	G102 4802	Lever:Junction Gate	1
28	G102 4505	Reverse Unit:Dc Solenoid:Ass'y	1
29	GX64 0029	Fan:MM40x15:Nidec:L	1
30	G102 5839	Bracket:Fan:Paper Exit Unit:Pr	1
31	G102 4450	Guide Plate:Exit:Lower	1
32	AF04 0574	Guide Roller	3
33	G102 5456	Harness:Exit:Sensor	1
34	G102 4466	Ground Plate:Sensor:Exit	1
35	G102 4471	Ring:Exit Roller:Dia18	4

Index No.	Part No.	Description	Q'ty Per Assembly
36	GA16 2010	Buffer:Guide Plate:Exit:Lower	1
37	G102 4713	Sheet - Duplex Junction	1
101	0720 0040E	Retaining Ring - M4	
102	0805 0092	Retaining Ring - 3m	
103	0450 3010N	Tapping Screw - M3x10	
104	0450 3008N	Tapping Screw - M3x8	
105	1105 0511	Harness Clamp - LWS-0306ZC	
106	0451 3020N	Tapping Screw:3x20	

15. Drive Section 1 (G104/G105)

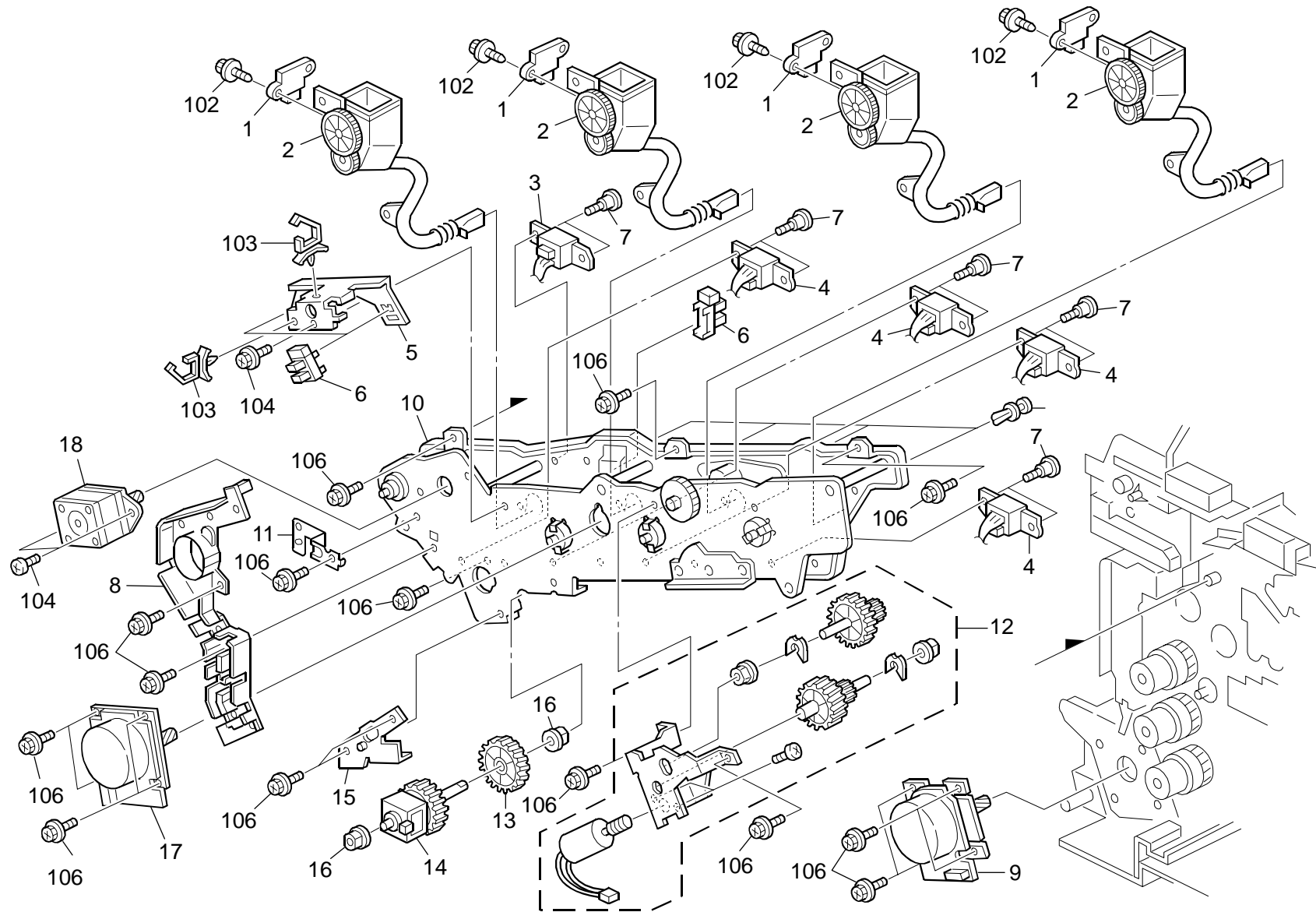


15.Drive Section 1 (G104/G105)

Index No.	Part No.	Description	Q'ty Per Assembly
1	G102 1058	Ground Plate:Finishing Sub-unit	1
2	GX20 0014	Magnetic Clutch:Registration:Ass'y	1
3	5447 2681	Snap Ring	1
4	G102 1264	Ground Plate:Drive Unit	1
5	G102 1327	Ground Plate:Transfer:No.2:Right	1
6	G102 1265	Ground Plate:Drive Unit	1
7	G102 1266	Ground Plate:Registration Roller:Right	1
8	AA08 2075	Bushing - M6	2
9	G102 1129	Ground Plate:Transfer:Second	1
10	G096 1087	Paper Tray Spring Plate Ass'y	2
11	GA04 3024	Timing Belt:S3M:318	1
12	GB01 3052	Gear:24z	1
13	GB03 0000	Timing Pulley:Drive:Fusing	1
14	GB01 7035	Gear:24/36z	1
15	GB01 7036	Gear:27/36z	1
16	G102 1316	Bracket:Drive:Fusing:Ass'y	1
17	G102 1310	Bracket:Stopper:Cl	1
18	G102 2829	Holder:Magnetic Clutch:Paper Feed	1
19	G102 1301	Bracket:Drive:Paper Feed:Ass'y	1
20	GB01 7032	Gear:20/45z	1
21	G102 4706	Bracket:Stopper:Right	1
22	GA08 0027	Bushing:Registration:Right	1
23	GB01 7033	Gear:26/62z	1
24	GB01 7034	Gear:24/45z	1
25	GB01 3051	Gear:33z	1
26	GF02 0033	Registration Roller:Drive	1
27	GF02 0034	Roller:Middle	1
28	GB01 1049	Gear:14z	1
29	G102 1325	Bracket:Drive:Discharge Waste Toner	1
30	G102 1329	Ground Plate:Transfer:No.2:Left	1
31	GA08 0026	Bushing:Registration:Left	1
32	GB01 1061	Gear:38z	1
33	GX20 0020	Magnetic Clutch:0.25n.m	1

Index No.	Part No.	Description	Q'ty Per Assembly
101	0450 3010N	Tapping Screw - M3x10	
102	1105 0516	Clamp	
103	0720 0040E	Retaining Ring - M4	

16. Drive Section 2 (G104/G105)

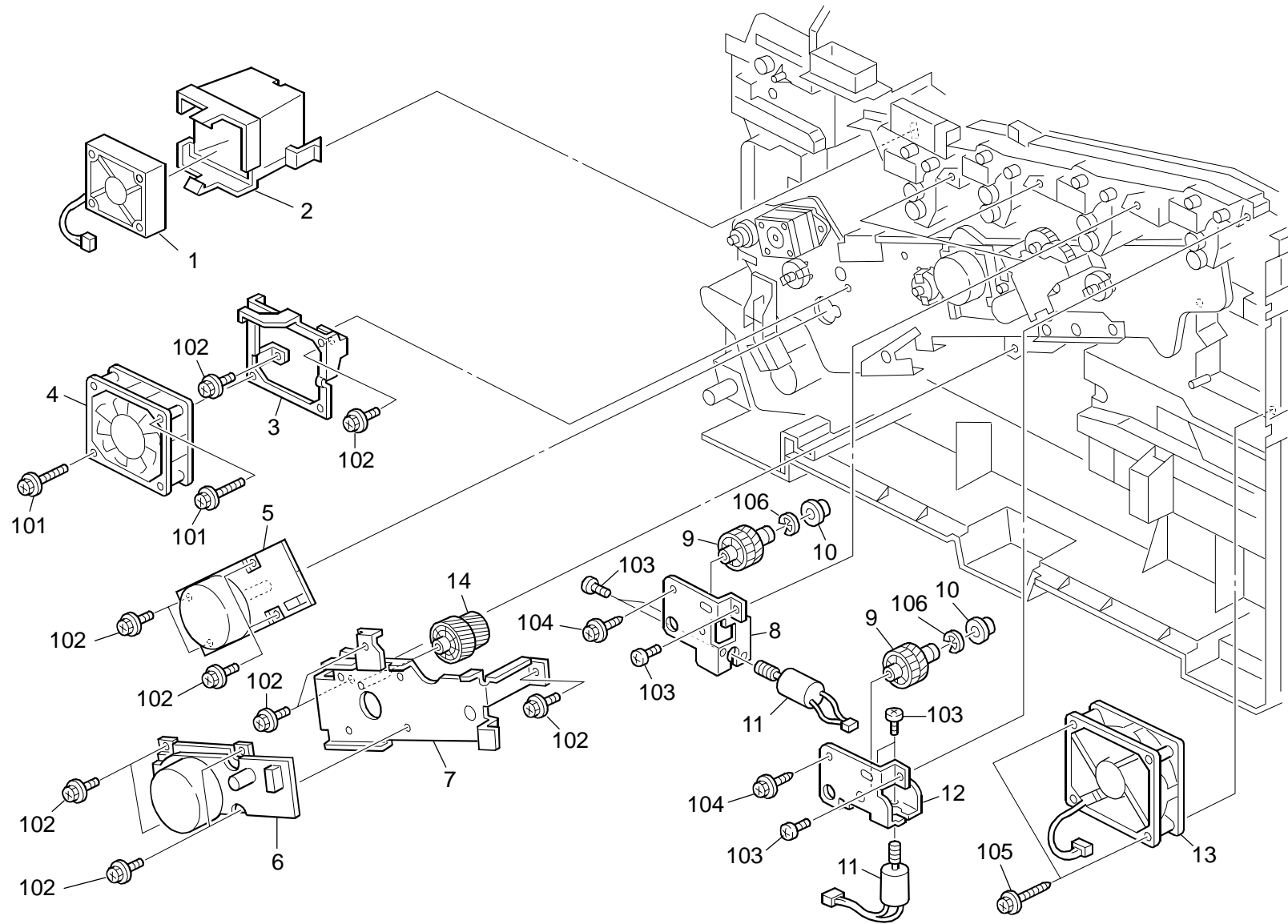


16. Drive Section 2 (G104/G105)

Index No.	Part No.	Description	Q'ty Per Assembly
1	GW23 0001	Toner End Sensor	4
2	G102 3320	Toner Supply Sub-unit:Ass'y	4
3	G102 5478	Harness:Intermediate Transfer	1
4	G102 5479	Harness:Density Sensor:K:Connecting	4
5	G102 1263	Holder:Positioning Sensor	1
6	GW02 0020	Photointerruptor:LG248NL1	2
7	5216 4198	Stepped Screw - Guide Plate	10
8	G102 5840	Supporter:Harness:Frame	1
9	GX06 0015	Brushless Motor:Drive:Paper Feed	1
10	G102 1211	Drive Unit:Ass'y	1
11	G102 1328	Ground Plate:Drive:Fusing	1
12	G102 1350	Transfer Belt Contact Motor Ass'y	1
13	GB01 1051	Gear:46z	1
14	GX20 0012	Magnetic Spring Clutch	1
15	G102 1258	Bracket:Magnetic Spring Clutch	1
16	AA08 2101	Bushing - 6x10x6	2
17	GX06 0017	Brushless Motor:Photoconductor	1
18	G102 1345	Stepper Motor:Drive:Transfer:Ass'y	1

Index No.	Part No.	Description	Q'ty Per Assembly
102	0450 3008N	Tapping Screw - M3x8	
103	1105 0516	Clamp	
104	0453 3006N	Tapping Screw - M3x6	
105	0805 0089	Retaining Ring - M4	
106	0451 3006N	Tapping Screw - 3x6	
107	0353 0030N	Screw:M3x3	

17. Drive Section 3 (G104/G105)

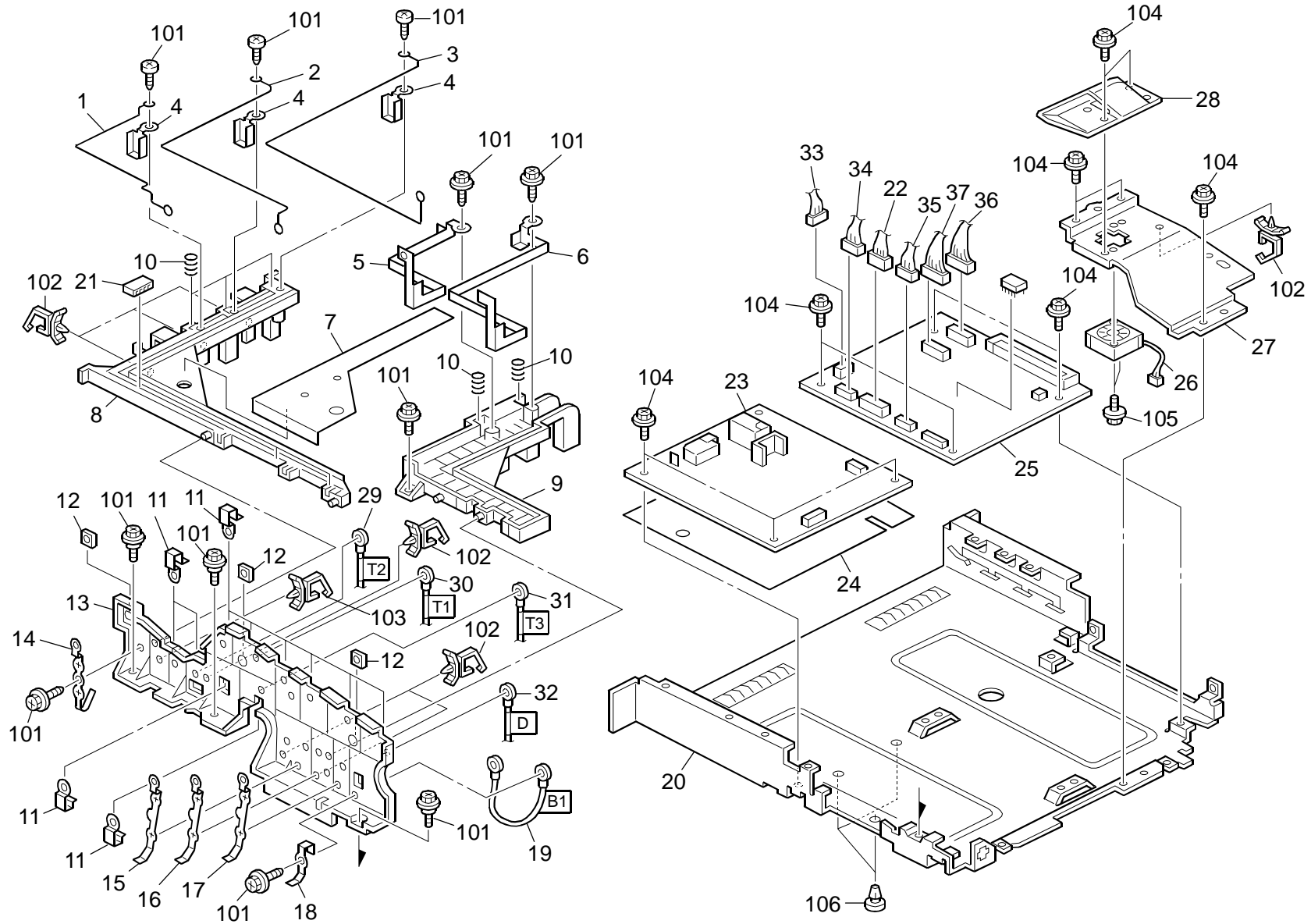


17. Drive Section 3 (G104/G105)

Index No.	Part No.	Description	Q'ty Per Assembly
1	GX64 0021	Fan:MM60:NMB:N	1
2	G102 1060	Duct:Fan:Fusing	1
3	G102 5831	Bracket:Fan	1
4	GX64 0027	Fan Motor MM60x15	1
5	GX06 0017	Brushless Motor:Photoconductor	1
6	GX06 0018	Brushless Motor:Development:Color	1
7	G102 1280	Bracket:Motor:Development:Color	1
8	G102 3311	Bracket:Dc Motor	3
9	GB01 7050	Gear:26/54z	4
10	GA13 2005	Collar:Toner Supply	4
11	G102 3312	DC Motor:Toner Supply:Ass'y	4
12	G102 3321	Bracket:DC Motor:Y	1
13	GX64 0020	Fan Motor - DC24V	1
14	GB01 7043	Gear:34/64z	1


Index No.	Part No.	Description	Q'ty Per Assembly
101	0451 3020N	Tapping Screw:3x20	
102	0451 3006N	Tapping Screw - 3x6	
103	0353 0030N	Screw:M3x3	
104	0450 3010N	Tapping Screw - M3x10	
105	0450 3035N	Tapping Screw:3x35	
106	0720 0080E	Retaining Ring - M8	

18.Frame And Electrical Section 1 (G104/G105)

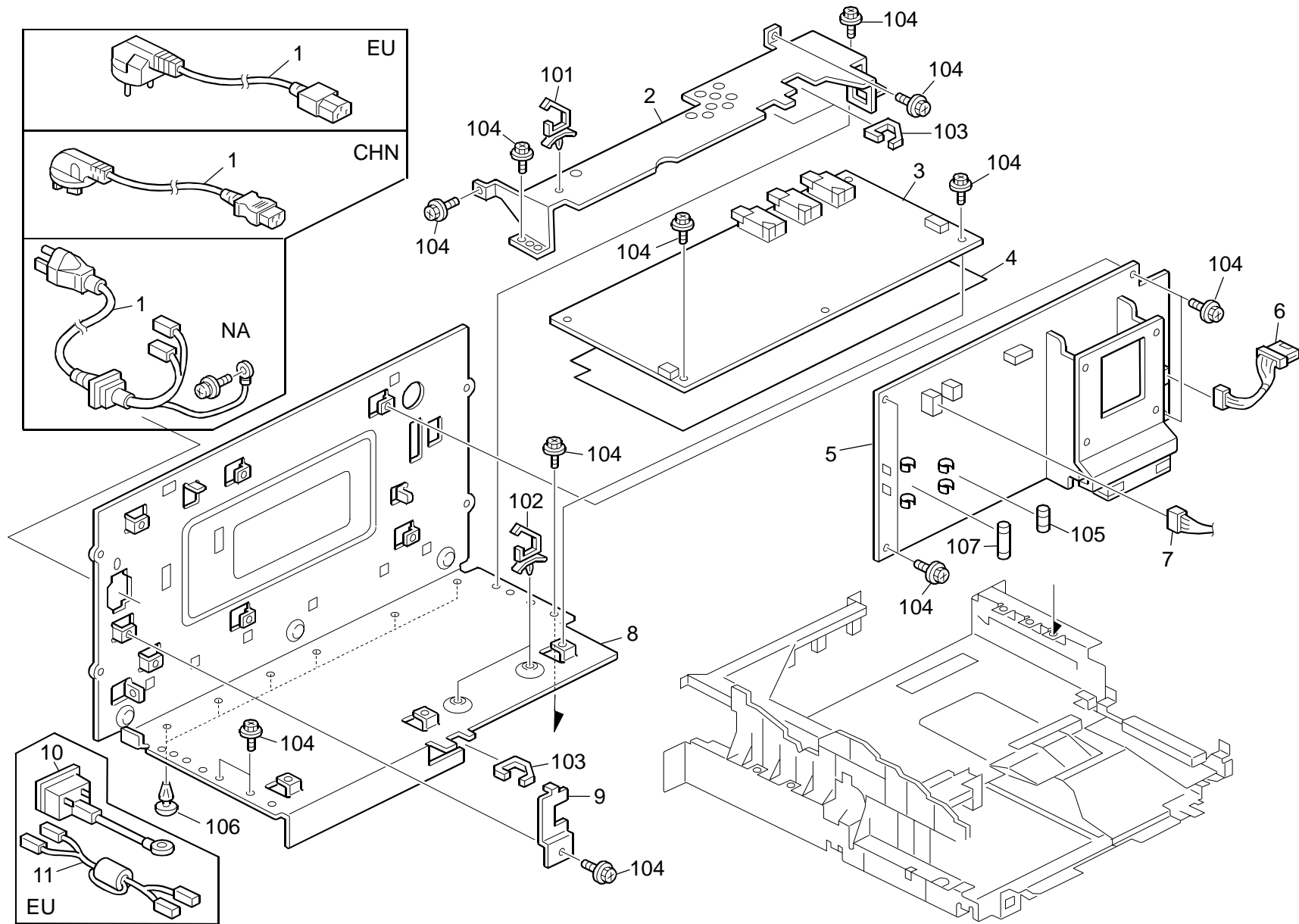


18.Frame And Electrical Section 1 (G104/G105)


Index No.	Part No.	Description	Q'ty Per Assembly
1	G102 5835	Wire:High Voltage:Connecting:3	1
2	G102 5834	Wire:High Voltage:Connecting:2	1
3	G102 5833	Wire:High Voltage:Connecting:1	1
4	G102 5807	High Voltage Line:C3	3
5	G102 5819	High Voltage Line:T4	1
6	G102 5820	High Voltage Line:TS	1
7	G102 5809	Insulating Sheet:High Voltage Line	1
8	G102 5805	Supporter:High Voltage Line:1	1
9	G102 5818	Supporter:High Voltage Line:2	1
10	GA06 3047	Spring:Terminal:Power Pack	2
11	G102 5810	Terminal:Power Pack	10
12	G102 5817	Plate Nut:Terminal	3
13	G102 5811	Holder:Terminal:Power Pack	1
14	G102 5815	Terminal:Spring Plate:Power Pack:3	1
15	G102 5814	Terminal:Spring Plate:Power Pack:6	1
16	G102 5813	Terminal:Spring Plate:Power Pack:5	1
17	G102 5812	Terminal:Spring Plate:Power Pack:4	1
18	G102 5816	Terminal:Spring Plate:Power Pack:7	1
19	G102 5423	Harness:High Voltage:By	1
20	G102 5721	Bracket:Engine Board:Sub-ass'y	1
21	G102 5838	Plate:High Voltage Line	3
22	G102 5439	Harness:EGB-HVP1	1
23	GZ32 0011	Power Pack:BDTTS	1
24	G102 5804	Insulating Sheet:Power Pack:2	1
25	G102 5121	PCB:EGB:Ass'y	1
26	GX64 0028	Fan:Mm40x15:Nidec:H	1
27	G102 5822	Shadeing Plate:Lower	1
28	G102 5836	Duct:Fan:Polygon Scanner	1
29	G102 5421	Harness:High Voltage:TC	1
30	G102 5422	Harness:High Voltage:TY	1
31	G102 5420	Harness:High Voltage:TM	1
32	G102 5425	Harness:High Voltage:D	1
33	G102 5437	Harness:PSU-EGB:+5V	1
34	G102 5438	Harness:EGB-PSU:Control	1
35	G102 5440	Harness:EGB-HVP2	1


Index No.	Part No.	Description	Q'ty Per Assembly
36	G102 5537	Harness:Laser Diode:7p	1
37	G102 5536	Harness:LD:3p	1
			
101	0452 3008N	Tapping Screw - M3x8	
102	1105 0511	Harness Clamp - LWS-0306ZC	
103	1105 0516	Clamp	
104	0451 3006N	Tapping Screw - 3x6	
105	0451 3020N	Tapping Screw:3x20	
106	1105 0281	Spacer	

19.Frame And Electrical Section 2 (G104/G105)

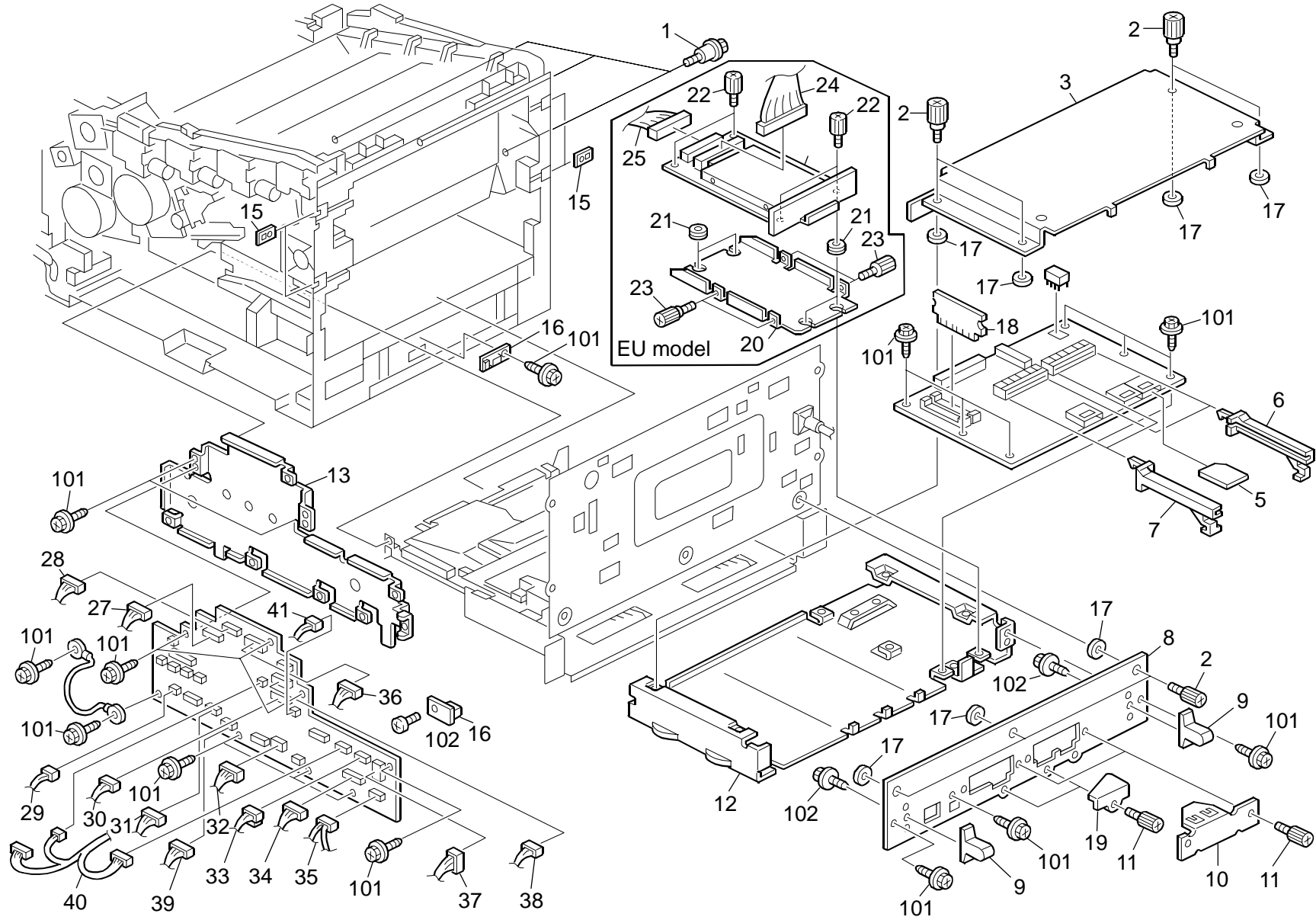


19.Frame And Electrical Section 2 (G104/G105)

Index No.	Part No.	Description	Q'ty Per Assembly
1	G102 5501	Power Supply Cord:Stopper:NA:Ass'y	1
1	G102 5502	Power Supply Cord:EU	1
1	G102 5503	Power Cord - 230V (CHN)	1
2	G102 5821	Shadeing Plate:Upper	1
3	GZ32 0010	High Voltage Power:1	1
4	G102 5802	Insulating Sheet:Power Pack:1	1
5	GZ23 0024	Power Supply Unit:DOM/NA	1
5	GZ23 0025	Power Supply Unit:EU/Asia	1
6	G102 5435	Harness:Power Supply Unit	1
7	G102 5413	Harness:Power Supply Unit:Heater (NA)	1
7	G102 5414	Harness:Power Supply Unit:Heater (EU)	1
8	G102 5800	Bracket:Power Supply Unit	1
9	G102 5843	Bracket:Power Supply Cord:Stopper:1	1
10	G102 5515	Inlet:EU:Ass'y	1
11	G102 5516	Harness:Inlet:EU	1
			


Index No.	Part No.	Description	Q'ty Per Assembly
101	1105 0511	Harness Clamp - LWS-0306ZC	
102	1105 0516	Clamp	
103	1105 0518	Edge Saddle - LES-1010	
104	0451 3006N	Tapping Screw - 3x6	
105	1107 0393	Fuse (Glass Case) - 8A - 125V	
105	1107 1065	Fuse:ET-4A (230V)	
106	1105 0281	Spacer	
107	1107 0629	Fuse:Ceramic Case:15A 125V	
107	1107 1084	Fuse:CES14-8A-N1 (230V)	
			

20.Frame And Electrical Section 3 (G104/G105)

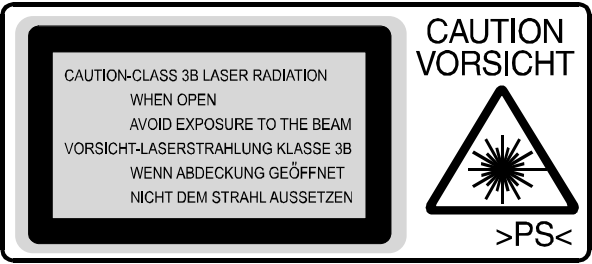
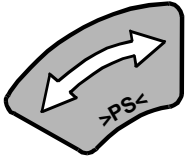
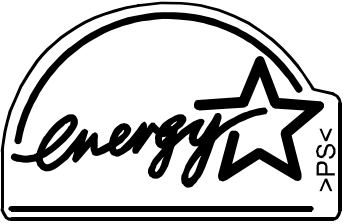

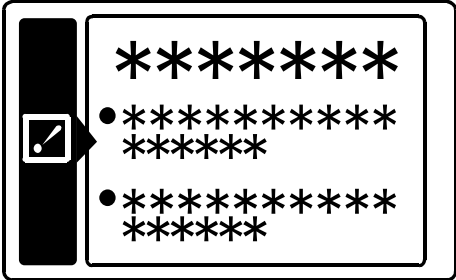
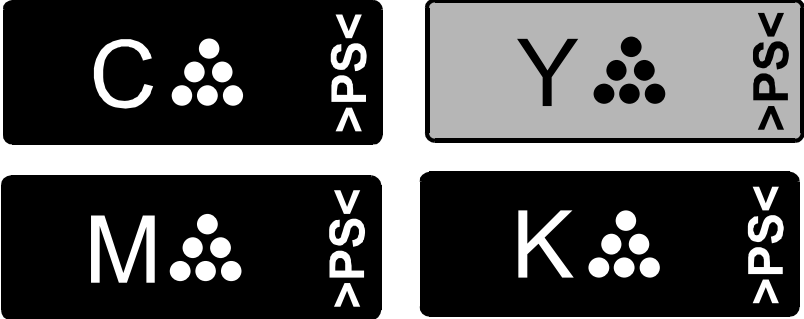
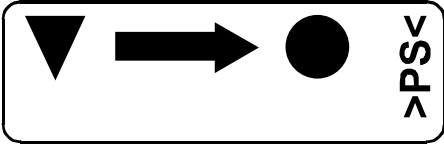


20.Frame And Electrical Section 3 (G104/G105)

Index No.	Part No.	Description	Q'ty Per Assembly
1	G102 5837	Screw:Electrical Components	3
2	G104 5132	Knob Screw:Control Board:Printer	7
3	G104 5131	Cover:Control Board:Printer	1
4	G104 5321	Ctl Board - G-p1 - EXP	1
5	G104 5201	Sd-card:Ass'y (NA)	1
5	G105 5201	Sd-card:Ass'y (EU)	1
6	G108 5108	Right Guide 1	1
7	G108 5107	Left Guide 1	1
8	G104 5133	Panel:Control Board:Printer	1
9	G104 5134	Grip:Control Board:Printer	2
10	G104 5140	Panel:Interface	2
11	G104 5141	Knob Screw:M3	6
12	G104 5130	Bracket:Control Board:Printer	1
13	G102 5728	Bracket:Interface Board:Ass'y	1
14	G102 5150	PCB:IOB-GP1	1
15	G102 1057	Plate Nut:Electrical Components	4
16	AW14 0012	Temperature & Humidity Sensor	1
17	AA10 0006	Nut - M3.6	7
18	B584 5030	PCB:DDR-DIMM:128Mb:Ass'y	1
18	B585 5030	PCB:DDR-DIMM:256Mb:Ass'y	1
19	G104 5137	Panel:Card	2
20	G104 5135	Bracket:HDD Install (EU)	1
21	AA16 1161	Bushing:HDD Unit(EU)	4
22	G104 5139	Knob Screw:HDD Unit (EU)	4
23	G104 5138	Knob Screw:HDD (EU)	4
24	G104 5250	Harness:HDD:Raid1 (EU)	1
25	G104 5251	Harness:HDD:Power Source (EU)	1
26	G395 5300	PCB:GW HDD:Ass'y	1
27	G102 5451	Harness:Sync Detector	1
28	G102 5453	Harness:Paper Feed:Sensor	1
29	G102 5452	Harness:Paper Feed:Magnetic Clutch	1
30	G102 5468	Harness:Drive:Motor:Photoconductor	1
31	G102 5460	Harness:Duplex:Front:Door	1
32	G102 5448	Harness:IOB:Behind:Ass'y	1
33	G102 5436	Harness:IOB-OSU:Connecting:+24V	1

Index No.	Part No.	Description	Q'ty Per Assembly
34	G102 5465	Harness:Option Tray:Drawer	1
35	G102 5466	Harness:Temperature/humidity Sensor	1
36	G102 5538	Harness:Drive:Unit:Sensor	1
37	G102 5474	Harness:Motor:Toner Supply	1
38	G102 5476	Harness:Toner End Sensor	1
39	G102 5462	Harness:Duplex:Sensor:Connecting	1
40	G102 5447	Harness:Il-sw:On-off:Ass'y	1
41	G102 5477	Harness:Exit:Cover:Sensor	1
			
101	0451 3006N	Tapping Screw - 3x6	
102	0450 3010N	Tapping Screw - M3x10	

21.Decals And Documents (G104/G105)

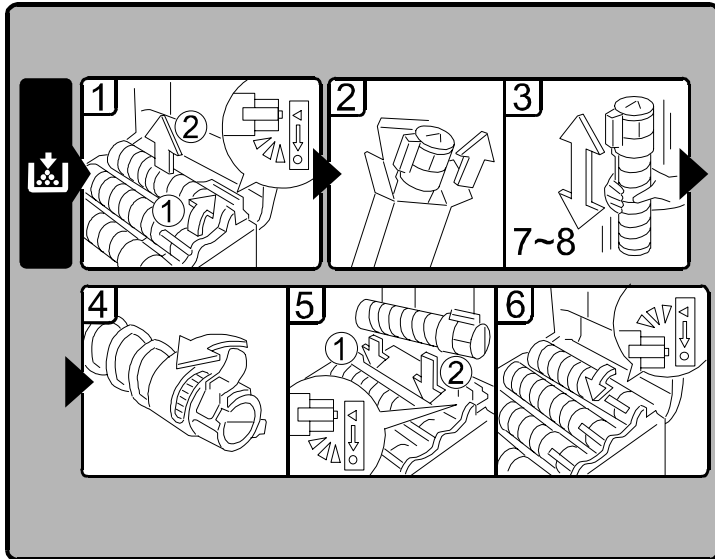
<p>1</p> 	<p>2</p> 	<p>3</p> 
<p>4</p> 	<p>5</p> 	
<p>6</p> 	<p>7</p> 	

21. Decals And Documents (G104/G105)

<p>8</p>	<p>9</p>	<p>10</p>	<p>11</p>	
<p>12</p>		<p>13</p>		<p>14</p>
<p>15</p>		<p>16</p>		
<p>17</p>		<p>18</p>	<p>19</p>	
		<p>20</p>	<p>21</p>	

21. Decals And Documents (G104/G105)

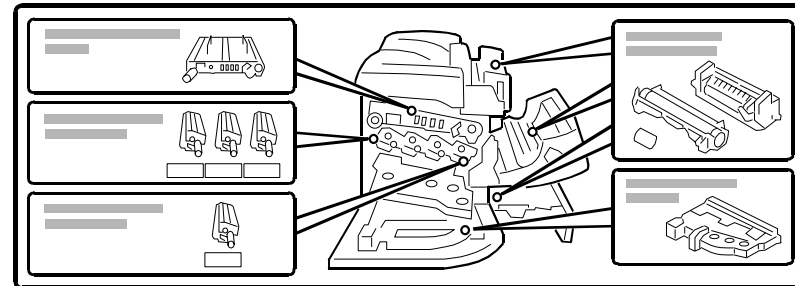
22



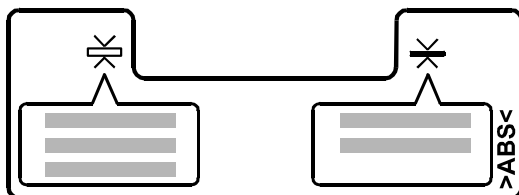
23



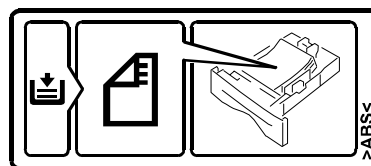
24



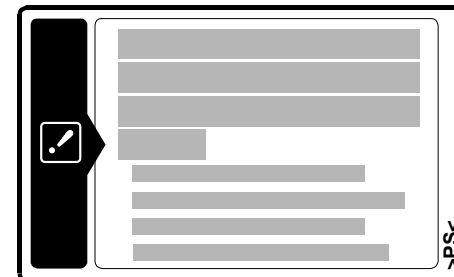
25



26



27



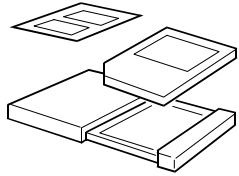
21.Decals And Documents (G104/G105)

Index No.	Part No.	Description	Q'ty Per Assembly
1	AA00 0217	Decal - LD 655	1
2	GA00 1011	Decal:Release:Lever:Drum Stay	1
3	GA00 1014	Decal:Name Plate:RIC:EXP:P1-a	1
3	GA00 1015	Decal:Name Plate:RIC:EXP	1
3	GA00 1016	Decal:Name Plate:GES:G104	1
3	GA00 1018	Decal:Name Plate:NSA:G104	1
3	GA00 1019	Decal:Name Plate:REX:G104	1
3	GA00 1020	Decal:Name Plate:GES:G105	1
3	GA00 1021	Decal:Name Plate:NSA:G105	1
3	GA00 1022	Decal:Name Plate:REX:G105	1
3	GA00 1024	Decal:Name Plate:LAN:G104:EU	1
4	GA00 3035	Energy Decal	1
5	GA00 3065	Decal - Inkjet Paper Caution (CHN)	1
6	GA00 3093	Decal:Toner Supply:C	1
6	GA00 3094	Decal:Toner Supply:M	1
6	GA00 3095	Decal:Toner Supply:Y	1
6	GA00 3096	Decal:Toner Supply:K	1
7	GA00 3101	Decal:Toner Supply:Cover	1
8	GA00 3108	Decal:Development Unit:C	1
9	GA00 3109	Decal:Development Uni:M	1
10	GA00 3110	Decal:Development Unit:Y	1
11	GA00 3111	Decal:Development Unit:K	1
12	GA00 3114	Decal:Drum Stay:Lock	1
13	GA00 3115	Decal:Drum Stay:Un Lock:Left	1
14	GA00 3116	Decal:Drum Stay:Un Lock:Right	1
15	GA00 3117	Decal:Size Indication:Manual Feed	1
16	GA00 3118	Decal:Paper Set Direction:Paper Tray	1
17	GA00 3125	Decal:Paper Feed:Display	1
18	GA00 3127	Decal:Operate:Lock:Drum Stay	1
19	GA00 3130	Decal:Toner Recycling Section	1
20	GA00 3131	Decal:Operate:PCU	1
21	GA00 3132	Decal:Operate:Fusing	8
22	GA00 3137	Decal:Operate:Toner Supply:EXP	1
23	GA00 3138	Decal:Operate:Manual Feed:EXP	1
24	GA00 3149	Decal:Positioning Display	1

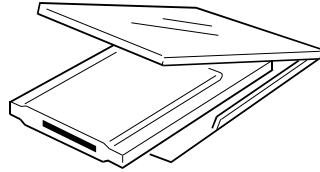
Index No.	Part No.	Description	Q'ty Per Assembly
25	GA00 3150	Decal:Operate:Paper Tray:Switch:EXP	1
26	GA00 3151	Decal:Paper Set Direction	1
27	GA00 3167	Decal:Caution:Inkjet:NA	1

22.Special Tools (G104/G105)

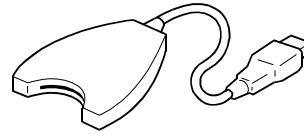
1



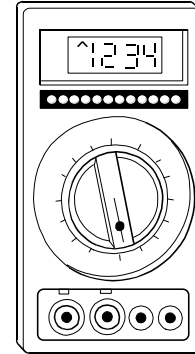
2



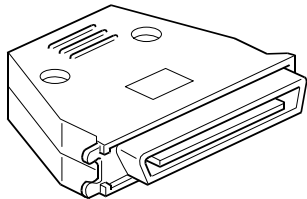
3



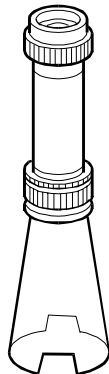
4



5



6



22.Special Tools (G104/G105)

Index No.	Part No.	Description	Q'ty Per Assembly
1	B645 5010	SD-Card:Ass'y	1
2	B645 6700	SD-Card:Adapter:BN-SDAA2	1
3	B645 6800	SD-Card:USB:Writer:BN-SDCE2	1
4	A029 9387	Digital Multimeter - FLUKE87	1
5	G021 9350	Loopback Connector - Parallel	1
6	C401 9503	20X Magnification Scope	1

Index No.	Part No.	Description	Q'ty Per Assembly

Parts Index

Parts Index

Part No.	Description	Page and Index No.
G104 1401	Operation Sub-unit:G-P1:NA:Ass'y	11 - 35
G104 1403	Operation Sub-unit:G-P1:Chn:Ass'y	11 - 35
G104 5130	Bracket:Control Board:Printer	41 - 12
G104 5131	Cover:Control Board:Printer	41 - 3
G104 5132	Knob Screw:Control Board:Printer	41 - 2
G104 5133	Panel:Control Board:Printer	41 - 8
G104 5134	Grip:Control Board:Printer	41 - 9
G104 5135	Bracket:HDD Install (EU)	41 - 20
G104 5137	Panel:Card	41 - 19
G104 5138	Knob Screw:HDD (EU)	41 - 23
G104 5139	Knob Screw:HDD Unit (EU)	41 - 22
G104 5140	Panel:Interface	41 - 10
G104 5141	Knob Screw:M3	41 - 11
G104 5201	Sd-card:Ass'y (NA)	41 - 5
G104 5250	Harness:HDD:Raid1 (EU)	41 - 24
G104 5251	Harness:HDD:Power Source (EU)	41 - 25
G104 5321	Ctl Board - G-p1 - EXP	41 - 4
G105 5201	Sd-card:Ass'y (EU)	41 - 5
G105 7491	Sheet - Color Chart	19 - 7
G105 8615	Manual - Setup Guide:NA	19 - 6
G105 8616	Manual - Maintenance Guide:NA	19 - 6

Part No.	Description	Page and Index No.
A029 9387	Digital Multimeter - FLUKE87	47 - 4
A184 1086	Bushing:Mm6	27 - 12
A212 2539	Spring - Registration Roller	25 - 5
A232 3962	Spring Plate - Band Stopper	21 - 32
A267 2869	Gear - 16Z	7 - 9
A680 1443	Arm Shaft	3 - 24
B004 2310	Spur	27 - 24
B039 2558	Driven Roller	23 - 4
B039 2631	Front Side Fence	5 - 3
B039 2632	Rear Side Fence	5 - 2
B584 5030	PCB:DDR-DIMM:128Mb:Ass'y	41 - 18
B585 5030	PCB:DDR-DIMM:256Mb:Ass'y	41 - 18
B645 5010	SD-Card:Ass'y	47 - 1
B645 6700	SD-Card:Adapter:BN-SDAA2	47 - 2
B645 6800	SD-Card:USB:Writer:BN-SDCE2	47 - 3
C401 9503	20X Magnification Scope	47 - 6
G012 3050	Side Fence Gear	5 - 8
G020 1332	Hinge - Front Cover	3 - 19
G020 5626	Push Switch	15 - 28
G020 5626	Push Switch	21 - 6
G020 5626	Push Switch	23 - 7
G021 9350	Loopback Connector - Parallel	47 - 5
G029 2608	Base Pad	7 - 11
G052 3103	Paper Feed Roller	9 - 20
G060 2652	Bushing - M4	15 - 14
G096 1087	Paper Tray Spring Plate Ass'y	31 - 10
G096 3055	Left Side Fence	7 - 6
G096 3056	Right Side Fence	7 - 10
G096 3060	Rear Paper Tray	7 - 26
G096 3065	Paper Tray Supporting Plate	7 - 30
G096 3066	Friction Pad Adhesion	7 - 16
G096 3083	Spring Tension	7 - 2
G096 3084	Separation Compression Spring	7 - 18
G096 3085	End Fence	7 - 24
G096 3086	End Fence Lever	7 - 23

Part No.	Description	Page and Index No.
G096 3087	End Fence Protection	7 - 21
G096 3088	End Fence Pressure	7 - 19
G096 3089	End Fence Compression Spring 3.5n	7 - 22
G096 3090	End Fence Tension Spring 12n	7 - 25
G102 1040	Stand:Frame	23 - 18
G102 1041	Holder:Rubber Foot	23 - 17
G102 1042	Rubber Foot:Frame	23 - 28
G102 1048	Slide Rail:K	21 - 16
G102 1051	Base:Frame:Lower	23 - 29
G102 1052	Ground Plate:Base:Lower	23 - 14
G102 1053	Rail:Paper Tray:Left	23 - 15
G102 1054	Rail:Paper Tray:Right	23 - 16
G102 1057	Plate Nut:Electrical Components	41 - 15
G102 1058	Ground Plate:Finishing Sub-unit	31 - 1
G102 1059	Spring Plate:Pressure:Imaging Unit	15 - 22
G102 1060	Duct:Fan:Fusing	35 - 2
G102 1061	Shielding Plate:Power Supply Unit	23 - 1
G102 1062	Duct:Fusing	9 - 4
G102 1063	Lever:Lock:Fusing:Right	27 - 19
G102 1064	Lever:Lock:Fusing:Left	27 - 4
G102 1066	Slide Rail:Y:Ass'y	21 - 11
G102 1067	Slide Rail:C:Ass'y	21 - 12
G102 1068	Slide Rail:M:Ass'y	21 - 15
G102 1070	Base:Toner Bottle:Sub-ass'y	23 - 5
G102 1072	Plate:Toner Bottle	23 - 3
G102 1076	Drum Positioning Plate	21 - 29
G102 1080	Ground Plate:Drum Positioning	21 - 2
G102 1113	Bracket:Left:Ass'y	21 - 5
G102 1114	Cover:Plate:Left	21 - 30
G102 1116	Bracket:Right:Ass'y	21 - 23
G102 1117	Cover:Plate:Right	21 - 22
G102 1120	Harness:ID chip Connector	23 - 30
G102 1125	Cover:Toner Supply:Lower	23 - 10
G102 1129	Ground Plate:Transfer:Second	31 - 9
G102 1141	Bracket:Spring Plate:Ass'y	15 - 1

Part No.	Description	Page and Index No.
G102 1144	Ground Plate:Discharge	15 - 23
G102 1146	Ground Plate:Connector:K	23 - 24
G102 1147	Ground Plate:Connector:Y	23 - 23
G102 1148	Ground Wire:ID:Connecting	23 - 25
G102 1159	Ground Wire:ID:Gnd	23 - 26
G102 1166	Holder:Ground Plate:Connector	23 - 11
G102 1168	Cover:Connector:Drum Stay	21 - 33
G102 1169	Rivet:12A1	21 - 34
G102 1173	Bracket:Belt:Drum Positioning	21 - 36
G102 1180	Louver:Duct:Fusing:Right	9 - 25
G102 1181	Louver:Duct:Fusing:Left	9 - 24
G102 1211	Drive Unit:Ass'y	33 - 10
G102 1258	Bracket:Magnetic Spring Clutch	33 - 15
G102 1263	Holder:Positioning Sensor	33 - 5
G102 1264	Ground Plate:Drive Unit	31 - 4
G102 1265	Ground Plate:Drive Unit	31 - 6
G102 1266	Ground Plate:Registration Roller:Right	31 - 7
G102 1280	Bracket:Motor:Development:Color	35 - 7
G102 1301	Bracket:Drive:Paper Feed:Ass'y	31 - 19
G102 1310	Bracket:Stopper:CI	31 - 17
G102 1316	Bracket:Drive:Fusing:Ass'y	31 - 16
G102 1320	Bracket:Sensor:On-off:No.2	27 - 20
G102 1325	Bracket:Drive:Discharge Waste Toner	31 - 29
G102 1327	Ground Plate:Transfer:No.2:Right	31 - 5
G102 1328	Ground Plate:Drive:Fusing	33 - 11
G102 1329	Ground Plate:Transfer:No.2:Left	31 - 30
G102 1337	Cam:On-off:No.2	27 - 13
G102 1338	Shielding Plate:On-off:No.2	27 - 22
G102 1345	Stepper Motor:Drive:Transfer:Ass'y	33 - 18
G102 1350	Transfer Belt Contact Motor Ass'y	27 - 9
G102 1350	Transfer Belt Contact Motor Ass'y	33 - 12
G102 1355	Band:Stopper:Door	21 - 3
G102 1356	Bracket:Magnet Catch:Left Front	3 - 22
G102 1357	Bracket:Magnet Catch:Left Rear	3 - 21
G102 1363	Bracket:Exit:Right	3 - 6

Part No.	Description	Page and Index No.
G102 1364	Bracket:Exit:Left	3 - 4
G102 1366	Stay:Overflow	3 - 17
G102 1367	Shaft:Overflow	3 - 16
G102 1371	Louver:MM80	3 - 9
G102 1376	Cap:Louver:Dia80	3 - 10
G102 1378	Cap:Louver:Dia60	3 - 11
G102 1381	Cap:Inner Cover:Right Front	15 - 4
G102 1390	Plate:Logotype:RIC	11 - 19
G102 1391	Louver:Duct:Fusing	9 - 26
G102 1392	Cap:Louver:Drive	3 - 13
G102 1393	Ground Plate:Push Switch:Exit	23 - 6
G102 1451	Cover:Left	3 - 23
G102 1461	Cover:Exit:Front	3 - 14
G102 1471	Cover:Exit:Rear	3 - 3
G102 1481	Cover:Right	3 - 8
G102 1491	Cover:Harness:Rear	3 - 18
G102 1501	Inner Cover:Left Front	27 - 6
G102 1511	Inner Cover:Right Front	15 - 3
G102 1940	Cover:Polygon Scanner:Ass'y	17 - 1
G102 1943	Shielding Plate:Polygon Scanner	17 - 2
G102 1944	Shield:Polygon Scanner	17 - 6
G102 1945	Seal:PCB:Polygon Scanner	17 - 3
G102 1960	Laser Diode Unit:Ass'y	17 - 9
G102 1963	Spring Plate:Laser Diode Unit	17 - 12
G102 1990	Cover:Optical Housing:Ass'y	17 - 14
G102 1997	Lever:Fix:Imaging Unit	17 - 10
G102 1998	Spring Plate:Imaging Unit	17 - 11
G102 2525	Paper Tray:Ass'y	7 - *
G102 2550	Guide Plate:Registration	15 - 16
G102 2560	Case:Remove Paper Dust:Ass'y	15 - 19
G102 2571	Feeler:Registration Sensor	15 - 18
G102 2581	Guide Plate:Registration:Driven	13 - 26
G102 2600	Guide Plate:Connecting:Ass'y	15 - 10
G102 2609	Lever:Pressure:Connecting	15 - 12
G102 2701	Guide Plate:Manual Feed:Lower:Ass'y	5 - 24

Part No.	Description	Page and Index No.
G102 2706	Tray Bottom Plate:Manual Feed:Ass'y	5 - 19
G102 2708	Cover:Registration Sensor	15 - 11
G102 2710	Roller:Guide:Tray Bottom Plate	5 - 18
G102 2713	Holder:Friction Pad:Manual Feed:Ass'y	5 - 21
G102 2715	Disc:Manual Feed	5 - 33
G102 2717	Cover:DC Solenoid	5 - 10
G102 2720	Guide Plate:Manual Feed:Upper:Ass'y	5 - 12
G102 2725	Feeler:Paper End	5 - 28
G102 2728	Roller:Guide:Manual Feed	5 - 15
G102 2729	Cam:Manual Feed	5 - 14
G102 2741	Cover:Paper Feed Unit	5 - 26
G102 2742	Cover:Manual Feed:Lower	5 - 27
G102 2743	Cover:Slide:Manual Feed	5 - 38
G102 2744	Spring:Slide:Manual Feed:Lower	5 - 39
G102 2752	Manual Feed Table	5 - 4
G102 2755	Rack:Side Fence:Rear	5 - 9
G102 2756	Rack:Side Fence:Front	5 - 7
G102 2781	Cover:Manual Feed Table	5 - 29
G102 2786	Guide:Paper	5 - 30
G102 2787	Stopper:Manual Feed	5 - 36
G102 2789	Stopper:Photointerruptor	5 - 6
G102 2790	Spacer:Manual Feed Table	5 - 37
G102 2801	Cover:Paper Tray	7 - 34
G102 2802	Guide Plate:Paper Tray	7 - 32
G102 2803	Shaft:Pressure:Paper Tray	7 - 5
G102 2804	Cam:Pressure:Paper Tray	7 - 3
G102 2805	Lever:Pressure:Change	7 - 12
G102 2807	Arm:Pressure:Change	7 - 1
G102 2808	Feeler:Pressure:Paper Tray	7 - 4
G102 2809	Filler Paper Volume Sensor	7 - 15
G102 2812	Protection:Paper Tray:Right	7 - 28
G102 2813	Protection:Paper Tray:Left	7 - 17
G102 2814	Rail:End Fence:Auxiliary	7 - 27
G102 2815	Paper Size Sensor Plate	7 - 29
G102 2816	Holder:Compression Spring	7 - 14

Part No.	Description	Page and Index No.
G102 2817	Compression Spring:Tray Bottom Plate	7 - 13
G102 2818	Tray Bottom Plate:Adhesion	7 - 37
G102 2821	Stay:Paper Feed	9 - 11
G102 2822	Bracket:Paper Feed:Sensor:Upper	9 - 12
G102 2823	Bracket:Paper Feed:Sensor:Lower	9 - 16
G102 2824	Shaft:Paper Feed	9 - 17
G102 2825	Bushing:Paper Feed Roller	9 - 19
G102 2826	Feeler:Paper End Sensor	9 - 15
G102 2827	Feeler:Paper Size Sensor:Sub	9 - 13
G102 2828	Ground Plate:Paper Feed	9 - 10
G102 2829	Holder:Magnetic Clutch:Paper Feed	31 - 18
G102 2830	Ground Plate:Paper Feed Roller	9 - 3
G102 2831	Feeler:Paper Volume Sensor	9 - 14
G102 2832	Protection:Paper Size Sensor Plate	7 - 31
G102 2833	Sheet:Holder:Paper Tray	7 - 20
G102 2834	Seal:Side Fence	7 - 8
G102 2835	Seal:Side Fence:Rear	7 - 7
G102 2842	Remove Paper Dust:Ass'y	27 - 17
G102 2843	Guide:Stay:Paper Feed:Rear	9 - 27
G102 2845	Ground Plate:Paper Tray:Rear Lower	23 - 12
G102 2846	Compression Spring:Paper Feed	9 - 18
G102 2847	Cover:Remove Paper Dust:Registration	27 - 31
G102 2848	Sheet:Base:Right	23 - 31
G102 2849	Sheet:Base:Left	23 - 32
G102 2982	Bracket:Shutter:Ass'y	9 - 9
G102 2985	DC Motor:Shutter:Ass'y	9 - 6
G102 2989	Gear:91z	9 - 7
G102 2990	Feeler:Shutter	9 - 8
G102 2991	Plate Nut:Shutter	9 - 21
G102 3311	Bracket:Dc Motor	35 - 8
G102 3312	DC Motor:Toner Supply:Ass'y	35 - 11
G102 3320	Toner Supply Sub-unit:Ass'y	33 - 2
G102 3321	Bracket:DC Motor:Y	35 - 12
G102 3868	Rail:Cleaning Unit:Peen	23 - 2
G102 4051	Fusing Unit - NA	19 - 4

Part No.	Description	Page and Index No.
G102 4052	Fusing Unit - EU	19 - 4
G102 4106	Fusing Belt:Dia45:Ass'y	25 - 24
G102 4155	Plate:Thermistor	25 - 18
G102 4157	Bracket:Thermistor	25 - 22
G102 4170	Thermostat	25 - 15
G102 4241	Bracket:Heater:Fusing:Left	25 - 19
G102 4242	Bracket:Heater:Fusing:Right	25 - 2
G102 4265	Bracket:Frame:Left:Ass'y	25 - 20
G102 4270	Bracket:Fusingframe:Right:Ass'y	25 - 1
G102 4283	Fusing Entrance Guide Plate	25 - 23
G102 4287	Fusing Cover:Lower	25 - 21
G102 4322	Cleaning Roller:Dia11	25 - 10
G102 4330	Bracket:Belt Tensioner:Peen	25 - 8
G102 4353	Connector:Fusing:NA	25 - 16
G102 4354	Connector:Fusing:EU	25 - 16
G102 4375	Fusing Cover:Upper	25 - 13
G102 4450	Guide Plate:Exit:Lower	29 - 31
G102 4451	Guide Plate:Exit:Right	29 - 25
G102 4452	Guide Plate:Exit:Upper	29 - 14
G102 4453	Guide:Positioning:Reverse Roller	29 - 10
G102 4454	Stay:Exit	29 - 16
G102 4456	Holder:Exit Roller:Driven	29 - 9
G102 4462	Bracket:Sensor:Exit	29 - 12
G102 4463	Ground Plate:Exit	29 - 21
G102 4464	Feeler:Exit:Sub-ass'y	29 - 4
G102 4466	Ground Plate:Sensor:Exit	29 - 34
G102 4467	Cover:Harness:Exit	29 - 26
G102 4469	Holder:Exit Roller:Driven:Outer	29 - 6
G102 4470	Ring:Exit Roller:Driven	29 - 7
G102 4471	Ring:Exit Roller:Dia18	29 - 35
G102 4505	Reverse Unit:Dc Solenoid:Ass'y	29 - 28
G102 4600	Cover:Front:Outer	11 - 20
G102 4601	Side Plate:Drive:Duplex:Left	11 - 37
G102 4602	Side Plate:Drive:Duplex:Right	11 - 5
G102 4603	Lever:Cover:Outer	11 - 2

Part No.	Description	Page and Index No.
G102 4604	Drum Positioning Plate :Drive:Duplex	11 - 21
G102 4605	Ground Plate:Transport Roller	11 - 38
G102 4606	Ground Plate:Transport Roller:Lower	11 - 36
G102 4607	Bracket:Reverse:Sensor	11 - 42
G102 4608	Inner Cover:Drive:Duplex	11 - 33
G102 4610	Bracket:Stepper Motor:Reverse	11 - 4
G102 4611	Bracket:Cover:Stopper:Outer:Peen	11 - 28
G102 4613	Cover:Outer:Harness	11 - 44
G102 4616	Ground Plate:Transport Roller:Lower	11 - 31
G102 4618	Ground Wire:Duplex	11 - 45
G102 4619	Guide Plate:Duplex:Upper	11 - 1
G102 4620	Ground Wire:Duplex:Outer	11 - 26
G102 4621	Bracket:Reverse:Sensor	11 - 24
G102 4622	Holder:Registration:Driven:Right	13 - 4
G102 4623	Holder:Registration:Driven:Left	13 - 8
G102 4624	Duct:Reverse	11 - 9
G102 4625	Bracket:Stepper Motor:Duplex	11 - 30
G102 4626	Ground Plate:Reverse Roller	11 - 27
G102 4627	Discharge Brush:Reverse Roller	11 - 23
G102 4650	Cover:Front:Inner	13 - 18
G102 4651	Shaft:Lever:Inner:Ass'y	13 - 11
G102 4652	Lever:Lock:Cover:Left	13 - 10
G102 4653	Lever:Lock:Cover:Right	13 - 13
G102 4654	Lever:Cover:Inner:Right	13 - 17
G102 4655	Lever:Cover:Inner:Left	13 - 9
G102 4656	Guide Plate:Transfer Roller:Upper	13 - 3
G102 4657	Bracket:Cover:Stopper:Inner:Peen	13 - 23
G102 4661	Cover:Fusing:Entrance Sensor	13 - 1
G102 4662	Cover:Duplex:Entrance	13 - 14
G102 4663	Cover:Duplex:Middle	13 - 22
G102 4664	Sheet:Surface Of Paper Sensor	13 - 25
G102 4700	Bracket:Stopper:Outer	15 - 9
G102 4701	Bracket:Stopper:Inner	15 - 20
G102 4702	Stopper:Cover:Outer:Peen	15 - 7
G102 4704	Stopper:Cover:Inner:Peen	15 - 21

Part No.	Description	Page and Index No.
G102 4706	Bracket:Stopper:Right	31 - 21
G102 4707	Stay:Stopper:Right	15 - 6
G102 4708	Cover:Bracket:Stay	15 - 5
G102 4710	Ground Plate:Stay:Stopper	15 - 29
G102 4711	Bracket:Spring:Stopper	15 - 30
G102 4712	Bracket:Push Switch:Cover:Outer	15 - 26
G102 4713	Sheet - Duplex Junction	29 - 37
G102 4802	Lever:Junction Gate	29 - 27
G102 5060	PCB:Sync Detector Board:1PD	17 - 8
G102 5121	PCB:EGB:Ass'y	37 - 25
G102 5150	PCB:IOB-GP1	41 - 14
G102 5291	PCB:Polygon Scanner	17 - 4
G102 5410	Harness:PSU-Powersw	27 - 11
G102 5413	Harness:Power Supply Unit:Heater (NA)	9 - 28
G102 5413	Harness:Power Supply Unit:Heater (NA)	39 - 7
G102 5414	Harness:Power Supply Unit:Heater (EU)	9 - 28
G102 5414	Harness:Power Supply Unit:Heater (EU)	39 - 7
G102 5420	Harness:High Voltage:TM	37 - 31
G102 5421	Harness:High Voltage:TC	37 - 29
G102 5422	Harness:High Voltage:TY	37 - 30
G102 5423	Harness:High Voltage:By	37 - 19
G102 5425	Harness:High Voltage:D	37 - 32
G102 5435	Harness:Power Supply Unit	39 - 6
G102 5436	Harness:IOB-OSU:Connecting:+24V	41 - 33
G102 5437	Harness:PSU-EGB:+5V	37 - 33
G102 5438	Harness:EGB-PSU:Control	37 - 34
G102 5439	Harness:EGB-HVP1	37 - 22
G102 5440	Harness:EGB-HVP2	37 - 35
G102 5447	Harness:Il-sw:On-off:Ass'y	41 - 40
G102 5448	Harness:IOB:Behind:Ass'y	41 - 32
G102 5450	Harness:Polygon Mirror Motor	17 - 7
G102 5451	Harness:Sync Detector	41 - 27
G102 5451	Harness:Sync Detector	17 - 15
G102 5452	Harness:Paper Feed:Magnetic Clutch	41 - 29
G102 5453	Harness:Paper Feed:Sensor	41 - 28

Part No.	Description	Page and Index No.
G102 5453	Harness:Paper Feed:Sensor	9 - 23
G102 5455	Harness:Fusing:Drawer	9 - 22
G102 5456	Harness:Exit:Sensor	29 - 33
G102 5458	Harness:Duplex:Motor:Connecting	11 - 29
G102 5460	Harness:Duplex:Front:Door	41 - 31
G102 5461	Harness:Duplex:Manual Feed	5 - 35
G102 5462	Harness:Duplex:Sensor:Connecting	41 - 39
G102 5463	Harness:Duplex:OPU:Connecting	11 - 34
G102 5464	Harness:Duplex:Connecting	13 - 21
G102 5465	Harness:Option Tray:Drawer	41 - 34
G102 5466	Harness:Temperature/humidity Sensor	41 - 35
G102 5468	Harness:Drive:Motor:Photoconductor	41 - 30
G102 5474	Harness:Motor:Toner Supply	41 - 37
G102 5476	Harness:Toner End Sensor	41 - 38
G102 5477	Harness:Exit:Cover:Sensor	41 - 41
G102 5477	Harness:Exit:Cover:Sensor	23 - 33
G102 5478	Harness:Intermediate Transfer	33 - 3
G102 5479	Harness:Density Sensor:K:Connecting	33 - 4
G102 5497	Ground Wire:Density Sensor	27 - 10
G102 5501	Power Supply Cord:Stopper:NA:Ass'y	39 - 1
G102 5502	Power Supply Cord:EU	39 - 1
G102 5503	Power Cord - 230V (CHN)	39 - 1
G102 5515	Inlet:EU:Ass'y	39 - 10
G102 5516	Harness:Inlet:EU	39 - 11
G102 5535	Harness:Front:Cover:Sensor	15 - 27
G102 5536	Harness:LD:3p	37 - 37
G102 5537	Harness:Laser Diode:7p	37 - 36
G102 5538	Harness:Drive:Unit:Sensor	41 - 36
G102 5539	Ground Wire - OPU	11 - 43
G102 5721	Bracket:Engine Board:Sub-ass'y	37 - 20
G102 5728	Bracket:Interface Board:Ass'y	41 - 13
G102 5800	Bracket:Power Supply Unit	39 - 8
G102 5801	Cover:Bracket:Power Supply Unit	3 - 1
G102 5802	Insulating Sheet:Power Pack:1	39 - 4
G102 5804	Insulating Sheet:Power Pack:2	37 - 24

Part No.	Description	Page and Index No.
G102 5805	Supporter:High Voltage Line:1	37 - 8
G102 5807	High Voltage Line:C3	37 - 4
G102 5809	Insulating Sheet:High Voltage Line	37 - 7
G102 5810	Terminal:Power Pack	37 - 11
G102 5811	Holder:Terminal:Power Pack	37 - 13
G102 5812	Terminal:Spring Plate:Power Pack:4	37 - 17
G102 5813	Terminal:Spring Plate:Power Pack:5	37 - 16
G102 5814	Terminal:Spring Plate:Power Pack:6	37 - 15
G102 5815	Terminal:Spring Plate:Power Pack:3	37 - 14
G102 5816	Terminal:Spring Plate:Power Pack:7	37 - 18
G102 5817	Plate Nut:Terminal	37 - 12
G102 5818	Supporter:High Voltage Line:2	37 - 9
G102 5819	High Voltage Line:T4	37 - 5
G102 5820	High Voltage Line:TS	37 - 6
G102 5821	Shadeing Plate:Upper	39 - 2
G102 5822	Shadeing Plate:Lower	37 - 27
G102 5824	Bracket:Safety Switch	27 - 2
G102 5825	Guide Plate:Safety Switch	27 - 1
G102 5826	Torsion Spring:Safety Switch	27 - 3
G102 5827	Cover:Main Switch	27 - 7
G102 5828	Guide:Harness:Main Switch	21 - 18
G102 5831	Bracket:Fan	35 - 3
G102 5833	Wire:High Voltage:Connecting:1	37 - 3
G102 5834	Wire:High Voltage:Connecting:2	37 - 2
G102 5835	Wire:High Voltage:Connecting:3	37 - 1
G102 5836	Duct:Fan:Polygon Scanner	37 - 28
G102 5837	Screw:Electrical Components	41 - 1
G102 5838	Plate:High Voltage Line	37 - 21
G102 5839	Bracket:Fan:Paper Exit Unit:Pr	29 - 30
G102 5840	Supporter:Harness:Frame	33 - 8
G102 5843	Bracket:Power Supply Cord:Stopper:1	39 - 9
G102 6200	Transfer Roller Unit	19 - 5
G102 6292	Lever:Pressure:Transfer Unit	13 - 27
G102 6293	Spring:Transfer Unit:Left	13 - 28
G102 6302	Guide:Frame	27 - 15

Part No.	Description	Page and Index No.
G102 6307	Guide:Transfer Roller:Entrance	27 - 18
G102 6308	Lever:On-off:Transfer Unit	27 - 16
G102 6329	Shutter:Density Sensor:Ass'y	27 - 23
G102 6333	Holder:Density Sensor	27 - 28
G102 6334	Tension Spring:Cleaner:Density Sensor	27 - 25
G102 6335	Cover:Density Sensor	27 - 26
G102 6336	Density Sensor	27 - 27
G102 6341	Sheet:Sensor	27 - 8
G102 6595	Bracket:Waste Toner Sensor	21 - 24
G108 5107	Left Guide 1	41 - 7
G108 5108	Right Guide 1	41 - 6
G235 2001	PCU - M	19 - 1
G235 2002	PCU - C	19 - 2
G235 2003	PCU - Y	19 - 3
G395 5300	PCB:GW HDD:Ass'y	41 - 26

Part No.	Description	Page and Index No.
AA00 0217	Decal - LD 655	17 - 13
AA00 0217	Decal - LD 655	45 - 1
AA06 3531	Pressure Spring - 12mm	25 - 4
AA06 3607	Pressure Spring	15 - 15
AA08 2058	Bushing - 6x10x9mm	5 - 13
AA08 2075	Bushing - M6	31 - 8
AA08 2075	Bushing - M6	9 - 2
AA08 2101	Bushing - 6x10x6	33 - 16
AA08 2101	Bushing - 6x10x6	11 - 6
AA08 2101	Bushing - 6x10x6	23 - 8
AA08 2101	Bushing - 6x10x6	27 - 29
AA08 2101	Bushing - 6x10x6	29 - 2
AA10 0006	Nut - M3.6	41 - 17
AA10 0014	Retaining Ring C - Separate	29 - 20
AA14 3520	Shoulder Screw - M3	25 - 27
AA14 3792	Screw:Drawer	25 - 28
AA16 1161	Bushing:HDD Unit(EU)	41 - 21
AF02 2135	Driven Roller - M3x16	15 - 24
AF04 0574	Guide Roller	29 - 32
AG07 1007	Latch - By Pass Feed Table	11 - 22
AG07 1012	Magnet Catch:Ass'y	3 - 25
AW01 0061	Paper Feed Sensor:Fusing Exit	13 - 2
AW01 0061	Paper Feed Sensor:Fusing Exit	11 - 25
AW14 0012	Temperature & Humidity Sensor	41 - 16
AW50 0026	Original Sensor	13 - 15
GA00 1011	Decal:Release:Lever:Drum Stay	21 - 1
GA00 1011	Decal:Release:Lever:Drum Stay	45 - 2
GA00 1014	Decal:Name Plate:RIC:EXP:P1-a	45 - 3
GA00 1014	Decal:Name Plate:RIC:EXP:P1-A	11 - 18
GA00 1015	Decal:Name Plate:RIC:EXP	11 - 18
GA00 1015	Decal:Name Plate:RIC:EXP	45 - 3
GA00 1016	Decal:Name Plate:GES:G104	45 - 3
GA00 1016	Decal:Name Plate:GES:G104	11 - 18
GA00 1018	Decal:Name Plate:NSA:G104	45 - 3
GA00 1018	Decal:Name Plate:NSA:G104	11 - 18

Part No.	Description	Page and Index No.
GA00 1019	Decal:Name Plate:REX:G104	45 - 3
GA00 1019	Decal:Name Plate:REX:G104	11 - 18
GA00 1020	Decal:Name Plate:GES:G105	11 - 18
GA00 1020	Decal:Name Plate:GES:G105	45 - 3
GA00 1021	Decal:Name Plate:NSA:G105	11 - 18
GA00 1021	Decal:Name Plate:NSA:G105	45 - 3
GA00 1022	Decal:Name Plate:REX:G105	11 - 18
GA00 1022	Decal:Name Plate:REX:G105	45 - 3
GA00 1024	Decal:Name Plate:LAN:G104:EU	45 - 3
GA00 1024	Decal:Name Plate:LAN:G104:EU	11 - 18
GA00 1031	Plate:Brand Name:GES	11 - 19
GA00 1032	Plate:Brand Name:NSA	11 - 19
GA00 1033	Plate:Brand Name:REX	11 - 19
GA00 1035	Plate:Brand Name:LAX	11 - 19
GA00 3035	Energy Decal	45 - 4
GA00 3065	Decal - Inkjet Paper Caution (CHN)	45 - 5
GA00 3093	Decal:Toner Supply:C	23 - 20
GA00 3093	Decal:Toner Supply:C	45 - 6
GA00 3094	Decal:Toner Supply:M	45 - 6
GA00 3094	Decal:Toner Supply:M	23 - 21
GA00 3095	Decal:Toner Supply:Y	45 - 6
GA00 3095	Decal:Toner Supply:Y	23 - 19
GA00 3096	Decal:Toner Supply:K	45 - 6
GA00 3096	Decal:Toner Supply:K	23 - 22
GA00 3101	Decal:Toner Supply:Cover	3 - 7
GA00 3101	Decal:Toner Supply:Cover	45 - 7
GA00 3108	Decal:Development Unit:C	21 - 27
GA00 3108	Decal:Development Unit:C	45 - 8
GA00 3109	Decal:Development Uni:M	45 - 9
GA00 3109	Decal:Development Uni:M	21 - 26
GA00 3110	Decal:Development Unit:Y	21 - 13
GA00 3110	Decal:Development Unit:Y	45 - 10
GA00 3111	Decal:Development Unit:K	21 - 28
GA00 3111	Decal:Development Unit:K	45 - 11
GA00 3114	Decal:Drum Stay:Lock	45 - 12

Part No.	Description	Page and Index No.
GA00 3114	Decal:Drum Stay:Lock	21 - 7
GA00 3115	Decal:Drum Stay:Un Lock:Left	21 - 31
GA00 3115	Decal:Drum Stay:Un Lock:Left	45 - 13
GA00 3116	Decal:Drum Stay:Un Lock:Right	45 - 14
GA00 3116	Decal:Drum Stay:Un Lock:Right	21 - 21
GA00 3117	Decal:Size Indication:Manual Feed	5 - 1
GA00 3117	Decal:Size Indication:Manual Feed	45 - 15
GA00 3118	Decal:Paper Set Direction:Paper Tray	7 - 33
GA00 3118	Decal:Paper Set Direction:Paper Tray	45 - 16
GA00 3125	Decal:Paper Feed:Display	45 - 17
GA00 3127	Decal:Operate:Lock:Drum Stay	21 - 8
GA00 3127	Decal:Operate:Lock:Drum Stay	45 - 18
GA00 3130	Decal:Toner Recycling Section	21 - 9
GA00 3130	Decal:Toner Recycling Section	45 - 19
GA00 3131	Decal:Operate:PCU	21 - 14
GA00 3131	Decal:Operate:PCU	45 - 20
GA00 3132	Decal:Operate:Fusing	15 - 2
GA00 3132	Decal:Operate:Fusing	13 - 16
GA00 3132	Decal:Operate:Fusing	27 - 5
GA00 3132	Decal:Operate:Fusing	45 - 21
GA00 3132	Decal:Operate:Fusing	3 - 20
GA00 3137	Decal:Operate:Toner Supply:EXP	3 - 5
GA00 3137	Decal:Operate:Toner Supply:EXP	45 - 22
GA00 3138	Decal:Operate:Manual Feed:EXP	45 - 23
GA00 3138	Decal:Operate:Manual Feed:EXP	5 - 32
GA00 3149	Decal:Positioning Display	21 - 10
GA00 3149	Decal:Positioning Display	45 - 24
GA00 3150	Decal:Operate:Paper Tray:Switch:EXP	7 - 35
GA00 3150	Decal:Operate:Paper Tray:Switch:EXP	45 - 25
GA00 3151	Decal:Paper Set Direction	45 - 26
GA00 3151	Decal:Paper Set Direction	7 - 36
GA00 3167	Decal:Caution:Inkjet:NA	45 - 27
GA00 3167	Decal:Caution:Inkjet:NA	5 - 31
GA01 2002	Filter:Fan:Fusing	3 - 12
GA04 3024	Timing Belt:S3M:318	31 - 11

Part No.	Description	Page and Index No.
GA04 3026	Timing Belt:60S2M234	11 - 14
GA04 3027	Timing Belt:60S2M296	11 - 10
GA06 0059	Tension Spring:Manual Feed:Drive	5 - 34
GA06 0061	Tension Spring:Reverse:8.1n	29 - 18
GA06 0078	Compression Spring:Lever:5n	11 - 39
GA06 3047	Spring:Terminal:Power Pack	37 - 10
GA06 3050	Spring:Stopper:Right	15 - 8
GA06 3052	Compression Spring:Manual Feed	5 - 20
GA06 3053	Compression Spring:8n	15 - 13
GA06 3062	Compression Spring:20n	13 - 6
GA06 3063	Compression Spring:2n	5 - 22
GA06 3068	Spring:Stopper:Left	15 - 25
GA06 6044	Torsion Spring:Driven:Duplex	13 - 20
GA06 6045	Torsion Spring:Lever:Duplex:Left	13 - 29
GA06 6046	Torsion Spring:Lever:Duplex:Right	13 - 12
GA08 0025	Bushing:Registration:Driven	13 - 5
GA08 0026	Bushing:Registration:Left	31 - 31
GA08 0027	Bushing:Registration:Right	31 - 22
GA10 0002	Snap Rings:4:1.7t	21 - 4
GA10 0003	Snap Rings:4:2.2t	21 - 35
GA12 0010	Discharge Brush:Exit	29 - 15
GA13 2005	Collar:Toner Supply	35 - 10
GA14 0000	Shaft:On-off:No.2	27 - 14
GA14 0024	Shaft:Manual Feed:Press Fit	5 - 17
GA14 8010	Shaft:Hinge:Drum Stay	21 - 20
GA14 8011	Shaft:Drive:Agitator	23 - 27
GA15 1026	Seal:Paper Exit Sub-unit:Rear	3 - 15
GA16 2010	BuFfer:Guide Plate:Exit:Lower	29 - 36
GA17 4002	Cushion Sheet:Cover:Exit:Front	3 - 27
GB01 0003	Gear:61z	27 - 30
GB01 0017	Gear:36z	11 - 16
GB01 0018	Gear:27z	11 - 7
GB01 0019	Gear:52z	11 - 17
GB01 1049	Gear:14z	31 - 28
GB01 1051	Gear:46z	33 - 13

Part No.	Description	Page and Index No.
GB01 1057	Gear:20z	11 - 13
GB01 1061	Gear:38z	31 - 32
GB01 3051	Gear:33z	31 - 25
GB01 3052	Gear:24z	31 - 12
GB01 3055	Gear:38z	5 - 25
GB01 3056	Gear:14z	29 - 24
GB01 3057	Gear:17z	29 - 19
GB01 3060	Gear:28z	23 - 9
GB01 4001	Gear:16z	29 - 23
GB01 7032	Gear:20/45z	31 - 20
GB01 7033	Gear:26/62z	31 - 23
GB01 7034	Gear:24/45z	31 - 24
GB01 7035	Gear:24/36z	31 - 14
GB01 7036	Gear:27/36z	31 - 15
GB01 7043	Gear:34/64z	35 - 14
GB01 7044	Gear:52z/21t	11 - 15
GB01 7045	Gear:20z:21t	11 - 11
GB01 7046	Gear:27/52z	11 - 12
GB01 7047	Gear:32/32z	11 - 8
GB01 7049	Gear:14/20z	29 - 22
GB01 7050	Gear:26/54z	35 - 9
GB03 0000	Timing Pulley:Drive:Fusing	31 - 13
GE01 0000	Hot Roller:Dia29	25 - 25
GE01 0001	Heat Roller:Dia20	25 - 14
GE02 0000	Pressure Roller:Pfa:Dia30	25 - 26
GE03 0003	Bushing:Belt Tensioner	25 - 7
GE03 0004	Bushing:Oil Supply Roller	25 - 6
GE03 0005	Bushing:Oil Supply Roller:Gap	25 - 12
GE04 0001	Oil Supply Roller:Fusing:Dia18	25 - 11
GE04 0003	Roller:Belt Tensioner:Fusing Belt	25 - 9
GF02 0032	Transport Roller:Duplex	11 - 32
GF02 0033	Registration Roller:Drive	31 - 26
GF02 0034	Roller:Middle	31 - 27
GF02 0035	Exit Roller	29 - 1
GF02 1005	Registration Roller:Driven	13 - 7

Part No.	Description	Page and Index No.
GF02 2025	Roller:Driven:Duplex	13 - 19
GF02 5006	Junction Gate	29 - 3
GF03 1003	Paper Feed Roller:MM30	5 - 16
GF04 0009	Exit Roller:Driven	29 - 8
GF04 0010	Roller:Reverse Roller:Driven	29 - 17
GF04 0011	Exit Roller:Driven:Outer	29 - 5
GG06 0000	Hinge:Exit:Ass'y	3 - 2
GG06 1008	Bracket:Hinge:Left	21 - 19
GG06 1009	Bracket:Hinge:Left Middle	21 - 17
GW01 0007	Photo Refiection Sensor:Exit	29 - 13
GW02 0020	Photointerruptor:LG248NL1	21 - 25
GW02 0020	Photointerruptor:LG248NL1	33 - 6
GW02 0020	Photointerruptor:LG248NL1	27 - 21
GW02 0020	Photointerruptor:LG248NL1	5 - 23
GW02 0020	Photointerruptor:Lg248n1	9 - 5
GW02 0020	Photointerruptor:LG248NL1	29 - 11
GW02 0020	Photointerruptor:LG248NI1	15 - 17
GW10 0005	Thermistor:Fusing	25 - 17
GW23 0001	Toner End Sensor	33 - 1
GW50 0002	Push Switch:Paper Size Sensor	23 - 13
GW50 0003	Rotary Switch:Paper Size Sensor	5 - 5
GX06 0015	Brushless Motor:Drive:Paper Feed	33 - 9
GX06 0017	Brushless Motor:Photoconductor	33 - 17
GX06 0017	Brushless Motor:Photoconductor	35 - 5
GX06 0018	Brushless Motor:Development:Color	35 - 6
GX06 0019	Stepper Motor:PM42L048RBG8	11 - 3
GX06 0020	Polygon Scanner	17 - 5
GX11 0019	DC Solenoid:24V:9.6W	5 - 11
GX20 0012	Magnetic Spring Clutch	33 - 14
GX20 0014	Magnetic Clutch:Registration:Ass'y	31 - 2
GX20 0014	Magnetic Clutch:Registration:Ass'y	9 - 1
GX20 0020	Magnetic Clutch:0.25n.m	31 - 33
GX44 0011	Heater:NA:850W:120%	25 - 3
GX44 0012	Heater:EU:850w:120%	25 - 3
GX64 0020	Fan Motor - DC24V	35 - 13

Part No.	Description	Page and Index No.
GX64 0021	Fan:MM60:NMB:N	35 - 1
GX64 0027	Fan Motor MM60x15	35 - 4
GX64 0028	Fan:Mm40x15:Nidec:H	37 - 26
GX64 0029	Fan:MM40x15:Nidec:L	29 - 29
GX64 0029	Fan:Mm40x15:Nidec:L	11 - 40
GZ23 0024	Power Supply Unit:DOM/NA	39 - 5
GZ23 0025	Power Supply Unit:EU/Asia	39 - 5
GZ32 0010	High Voltage Power:1	39 - 3
GZ32 0011	Power Pack:BDTTS	37 - 23

Part No.	Description	Page and Index No.
0353 0030N	Screw:M3x3	35 - 103
0353 0030N	Screw:M3x3	33 - 107
0353 0030N	Screw:M3x3	9 - 105
0353 0060N	Philips Pan Head Bind Screw - M3x6	23 - 102
0353 0250N	Screw:M3x25	27 - 102
0360 3006N	Screw - M3x6	25 - 102
0450 3008N	Tapping Screw - M3x8	3 - 102
0450 3008N	Tapping Screw - M3x8	33 - 102
0450 3008N	Tapping Screw - M3x8	29 - 104
0450 3008N	Tapping Screw - M3x8	7 - 102
0450 3010N	Tapping Screw - M3x10	15 - 102
0450 3010N	Tapping Screw - M3x10	21 - 101
0450 3010N	Tapping Screw - M3x10	23 - 101
0450 3010N	Tapping Screw - M3x10	13 - 101
0450 3010N	Tapping Screw - M3x10	27 - 104
0450 3010N	Tapping Screw - M3x10	29 - 103
0450 3010N	Tapping Screw - M3x10	31 - 101
0450 3010N	Tapping Screw - M3x10	35 - 104
0450 3010N	Tapping Screw - M3x10	41 - 102
0450 3010N	Tapping Screw - M3x10	11 - 101
0450 3010N	Tapping Screw - M3x10	5 - 102
0450 3010N	Tapping Screw - M3x10	3 - 104
0450 3010N	Tapping Screw - M3x10	9 - 101
0450 3012N	Tapping Screw:3x12	3 - 103
0450 3025N	Tapping Screw:3x25	11 - 103
0450 3035N	Tapping Screw:3x35	35 - 105
0451 3006N	Tapping Screw - 3x6	37 - 104
0451 3006N	Tapping Screw - 3x6	13 - 104
0451 3006N	Tapping Screw - 3x6	15 - 101
0451 3006N	Tapping Screw - 3x6	9 - 102
0451 3006N	Tapping Screw - 3x6	39 - 104
0451 3006N	Tapping Screw - 3x6	41 - 101
0451 3006N	Tapping Screw - 3x6	35 - 102
0451 3006N	Tapping Screw - 3x6	27 - 105
0451 3006N	Tapping Screw - 3x6	5 - 104

Part No.	Description	Page and Index No.
0451 3006N	Tapping Screw - 3x6	3 - 105
0451 3006N	Tapping Screw - 3x6	21 - 102
0451 3006N	Tapping Screw - 3x6	33 - 106
0451 3020N	Tapping Screw:3x20	29 - 106
0451 3020N	Tapping Screw:3x20	37 - 105
0451 3020N	Tapping Screw:3x20	35 - 101
0452 3008N	Tapping Screw - M3x8	37 - 101
0452 3008N	Tapping Screw - M3x8	17 - 102
0452 3010N	Binding Self-tapping Screw:3x10	11 - 102
0452 3010N	Binding Self-tapping Screw:3x10	17 - 101
0453 3006N	Tapping Screw - M3x6	33 - 104
0453 3008N	Binding Self Tapping Screw:3x8	9 - 104
0707 4060N	Bushing:Dia4x6	9 - 103
0707 6250N	Bushing:DIA6x25	27 - 103
0720 0040E	Retaining Ring - M4	27 - 107
0720 0040E	Retaining Ring - M4	31 - 103
0720 0040E	Retaining Ring - M4	29 - 101
0720 0040E	Retaining Ring - M4	13 - 102
0720 0040E	Retaining Ring - M4	23 - 103
0720 0060E	Retaining Ring - M6	15 - 105
0720 0060E	Retaining Ring - M6	27 - 108
0720 0080E	Retaining Ring - M8	35 - 106
0805 0089	Retaining Ring - M4	5 - 101
0805 0089	Retaining Ring - M4	13 - 103
0805 0089	Retaining Ring - M4	11 - 104
0805 0089	Retaining Ring - M4	33 - 105
0805 0089	Retaining Ring - M4	7 - 101
0805 0092	Retaining Ring - 3m	29 - 102
0805 0092	Retaining Ring - 3m	3 - 101
0805 0092	Retaining Ring - 3m	9 - 107
0954 3008N	Screw - M3x8	25 - 101
0954 3012N	Screw - M3x12	25 - 103
1105 0281	Spacer	39 - 106
1105 0281	Spacer	37 - 106
1105 0487	Harness Clamp	11 - 105

Part No.	Description	Page and Index No.
1105 0487	Harness Clamp	9 - 106
1105 0488	Harness Clamp	15 - 104
1105 0511	Harness Clamp - LWS-0306ZC	29 - 105
1105 0511	Harness Clamp - LWS-0306ZC	5 - 103
1105 0511	Harness Clamp - LWS-0306ZC	37 - 102
1105 0511	Harness Clamp - LWS-0306ZC	39 - 101
1105 0516	Clamp	39 - 102
1105 0516	Clamp	15 - 103
1105 0516	Clamp	31 - 102
1105 0516	Clamp	33 - 103
1105 0516	Clamp	37 - 103
1105 0518	Edge Saddle - LES-1010	39 - 103
1105 0522	Edge Saddle - LES0510	27 - 106
1107 0393	Fuse (Glass Case) - 8A - 125V	39 - 105
1107 0629	Fuse: Ceramic Case: 15A 125V	39 - 107
1107 1065	Fuse: ET-4A (230V)	39 - 105
1107 1084	Fuse: CES14-8A-N1 (230V)	39 - 107
1204 2521	Micro Switch	27 - 101
1204 2628	Switch 250V/10A	27 - 109
1607 1715	Ferrite Core: RFC-5	19 - 101

Part No.	Description	Page and Index No.
5206 2686	Snap Ring	3 - 26
5215 2621	Snap Ring - M6	11 - 41
5216 4198	Stepped Screw - Guide Plate	33 - 7
5447 2681	Snap Ring	13 - 24
5447 2681	Snap Ring	31 - 3